

Form 18426, Revised

(241)

Printed in U. S. A.

**LIST  
OF  
PARTS**



**MACHINES  
Nos. 147-5, 147-6  
and 147-37**

**THE SINGER MANUFACTURING COMPANY**

From the library of: Diamond Needle Corp

# INSTRUCTIONS FOR OILING

To insure easy running and prevent unnecessary wear, the machine requires oiling and, when in continuous use, it should be oiled at least twice each day.

Apply "Singer Oil for High Speed Sewing Machines" (Cloth and Leather) for general use, or "Singer Stainless Oil for High Speed Machines" where a stainless oil is desired, to all oil holes, oil tubes and other places in movable contact.

## INDEX

	Page
Accessories.....	34
Attachment for Binding and Fringing Edges of Rugs for 147-37 Machines.....	34
Attachment for Fringing and Taping Edges of Rugs for 147-37 Machine.....	35
Belt Guard.....	35
Bench Stand.....	35
Fittings for 147-6 Machine.....	33
Fittings for 147-37 Machine.....	33
Foot Lifter Parts.....	36
Guide.....	36
Knee Lifter Parts.....	36
Machine Base.....	37
Machine Base Oil Drain Jar.....	37
Machine No.147-5.....	5
Machine No.147-6.....	13
Machine No.147-37.....	23
Numerical List of Parts.....	43
Obsolete Parts.....	41
Tape Holder.....	38
Tape Reel.....	38
Thread Unwinder.....	39

From the library of: Diamond Needle Corp.

Copyright, U. S. A., 1922, 1925, 1928, 1930,  
1939, 1940 and 1941  
by The Singer Manufacturing Co.  
All Rights Reserved for all Countries

# INSTRUCTIONS FOR ORDERING

In ordering from this list, use ONLY the part NUMBER in the FIRST column.

The number stamped on a Sewing Machine Part is in every case the number of the single part only.

Every combination of parts sent out as such has its specific number, which, although not stamped on the parts, must be used when ordering the combination.

Each number always indicates the SAME PART in whatever list it appears, or for whatever machine.

The letters after some of the numbers indicate the style of finish only, as follows:

- A-Hardened, Polished, Nickel Plated and Buffed
- A.A-Buffed and Chromium Plated
- A.B-Hardened, Polished, Buffed and Chromium Plated
- A.C-Brown Baking Enamel Finish
- A.D-Gray Baking Enamel Finish
- A.E-Hardened, Bright Rumbled and Nickel Plated
- A.F-Hardened, Bright Rumbled, Nickel Plated, Bright Rumbled and Chromium Plated
- B-Polished, Nickel Plated and Buffed
- C-Hardened Only
- C.R-Hardened and Merlized
- D-Polished Only
- E-Soft, Not Polished
- F-Hardened and Polished
- F.J-Hardened, Polished and Nickel Plated
- G-Bright Rumbled and Nickel Plated
- H-Blued
- J-Nickel Plated Only
- K-Hardened and Nickel Plated
- L-Brass Plated
- M-Oxidized
- N-Japanned, Dull
- P-Japanned, Bright
- P.P-Wrinkle Finish
- R-Merlized
- S-Cadmium Plated
- T-Copper Plated
- T.A-Hardened, Polished, Copper and Nickel Plated and Buffed
- T.B-Copper and Nickel Plated and Polished
- T.J-Copper and Nickel Plated Only
- T.K-Hardened, Copper and Nickel Plated
- T.L-Copper and Brass Plated
- T.M-Copper Plated and Oxidized
- U-Zinc Plated
- V-Silver Plated
- W-Polished and Nickel Plated
- X-Black Oxide, for Iron and Steel
- X.C-Hardened and Black Oxide, for Iron or Steel
- Y-Black Nickel Plated Only
- Z-Chromium Plated
- Z.A-Hardened, Polished, Nickel Plated, Buffed and Chromium Plated
- Z.B-Polished, Nickel Plated, Buffed and Chromium Plated
- Z.C-Hardened and Chromium Plated
- Z.D-Polished and Chromium Plated
- Z.G-bright Rumbled, Nickel Plated, Bright Rumbled and Chromium Plated
- Z.J-Nickel and Chromium Plated
- Z.T-Copper and Chromium Plated

These letters MUST BE USED when they appear in the list; and AFTER the number as in the list.

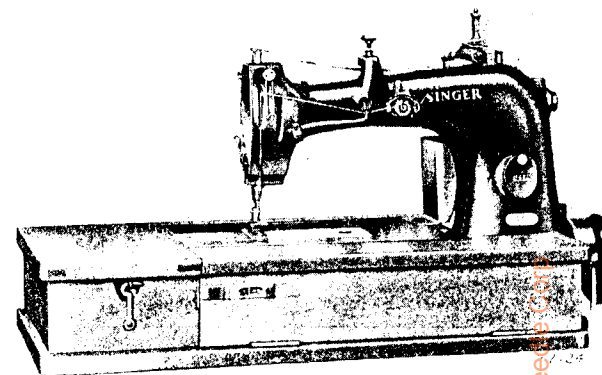
- In this series:
- 1 to 1500, 50001 to 51500 and 140001 to 142000 are Screw Numbers
  - 1501 to 1800 and 51501 to 51800 are Nut Numbers
  - 1801 to 2000 and 51801 to 52000 are Roller Numbers
  - 2001 to 50000 and 52001 to 140000 and 142001 to 190000 are Sewing Machine Parts, 190001 and upward are numbers of Electrical Parts.

The figures in the second column refer only to the plates, illustrating the parts, and are NOT to BE USED in ordering.

Parts marked with an asterisk (\*) are furnished only when repairs are made at factory..

When ordering parts which differ as to Gauge (the distance between seams) the Gauge, as well as the Number must be given on order.

## LIST OF PARTS COMPLETE FOR



### MACHINE No. 147-5

FOR UPHOLSTERY WORK ON AUTOMOBILES.  
ONE NEEDLE, ONE LOOPER, TWO-THREAD  
CHAIN STITCH. FOOT LIFTER. CLEARANCE  
UNDER PRESSER FOOT 1/4 INCH. SPEED  
UP TO 3000 R. P. M., ACCORDING TO THE  
MATERIAL BEING STITCHED.

No.	Plate	Name
*68117	-----	Arm, upper and lower (solid) with 948J, 15404, 54034 and two 15405.....
42366	8901	Arm Oil Pad (braided cotton) for oiling Arm Rock Shaft Front Bearing.....
56006	8901	Arm Oil Pad (braided cotton) for oiling Arm Rock Shaft Intermediate Bearing.
56003	8985	Arm Oil Tube with 52045, for oiling 54326.....
11119	8901	Arm Oil Tube with 52045, for oiling 68137.....
52045	8901	Arm Oil Tube Packing (braided cotton)...
68118	9904	" Rock Shaft.....
68119	-----	" " " 68118 with 54004 and 64255
64386	8901	" " " Bushing (back).....
446C	8901	" " " " " Set Screw..

From the Library of the University of Michigan

No.	Plate	Name
64368	8901	Arm Rock Shaft Bushing (intermediate)...
423C	8901	" " " " " " Set
		Screw.....
52045	8901	Arm Rock Shaft Bushing Oil Pad (braided cotton).....
54004	8901	Arm Rock Shaft Collar with two 453C....
453C	8901	" " " " " " Set Screw.....
131072	20693	" " " " Crank, back (ball bearing, solid) with two 50083C.....
50083C	8901	Arm Rock Shaft Crank (back) Set Screw...
64255	9882	" " " " (front) with 453C..
2117	8901	" " " " " " Pin.....
453C	8901	" " " " " " Set Screw..
54105	8901	" " " " Flanged Bushing (front)..
52045	9901	" " " " " " " Oil Pad (braided cotton).....
453C	8901	Arm Rock Shaft Flanged Bushing (front) Set Screw.....
*68110	9904	Arm Rotary Shaft.....
Note: When No. 68110 is required for repairs, the Looper Driving Shaft and Feed Lifting Eccentric must be returned to the factory to be adjusted to the new part.		
68111	-----	Arm Rotary Shaft 68110 with 640E, 54113, 54383, 54450, 64351, 64355 and 131344..
54367	8985	Arm Rotary Shaft Bushing (front).....
761F	8901	" " " " " " Set Screw
54007	8902	" " " " (intermediate).
54089	-----	" " " " " " " 54007 with 64508 and 64805.....
64508	8902	Arm Rotary Shaft Bushing (intermediate) Oil Pad, long (braided cotton).....
64805	8985	Arm Rotary Shaft Bushing (intermediate) Oil Pad, short (braided cotton)....
422C	8901	Arm Rotary Shaft Bushing (intermediate) Set Screw (long).....
50084C	8901	Arm Rotary Shaft Bushing (intermediate) Set Screw (short).....
54450	20693	Arm Rotary Shaft Collar with two 1258C..
1258C	20693	" " " " " " Set Screw.....
54009	8902	" " " " Flanged Bushing.....
54090	-----	" " " " " " " 54009 with 58039 and 64805.....
58039	8902	Arm Rotary Shaft Flanged Bushing Oil Pad, long (braided cotton).....
64805	8985	Arm Rotary Shaft Flanged Bushing Oil Pad, short (braided cotton).....
159F	8901	Arm Rotary Shaft Flanged Bushing Screw..
49013	8904	" " " " Front Bearing Oil Pad (braided cotton).....

No.	Plate	Name
144D	8901	Arm Rotary Shaft Screw.....
15196	8902	" " Side Cover (back).....
286D	8904	" " " " " Thumb Screw.....
54010	8904	" " " " (front).....
286D	8904	" " " " " Thumb Screw.....
64259	9902	Balance Wheel with two 51283C.....
51283C	20693	" " " " " " Set Screw.....
54011	8903	Cloth Plate.....
54012	8902	" " Slide (left).....
38419	8904	" " " " " Spring.....
725J	8904	" " " " " " Screw...
54013	-----	Cloth Plate Slide (left) complete, Nos. 38419, 54012 and two 725J.....
54057	9889	Cloth Plate Slide (right).....
38419	8904	" " " " " Spring.....
725J	8904	" " " " " " Screw..
54058	-----	Cloth Plate Slide (right) complete, Nos. 38419, 54057 and two 725J.....
54060	-----	Cloth Plate complete, Nos. 54011, 54013 and 54058.....
1011F	8904	Cloth Plate Screw (left).....
50473F	8904	" " " " (right).....
54104	9904	" " Thread Guard.....
1235F	8904	" " " " " Screw.....
54017	8902	Crank Connecting Rod with 6575, 54218, 68350 and two each 896E and 1057E...
131344	-----	Crank Connecting Rod 54017 with 131072..
896E	8904	" " " " Cap (lower) Screw..
1057E	8904	" " " " " (upper) Screw..
68350	20693	" " " " Oil Cup.....
54218	8904	" " " " " " Pad (braided cotton).....
6575	8904	Crank Connecting Rod Oil Cup Pad Stop Pin.....
84269	9889	Face Plate.....
46111	9901	" " Pin.....
286D	8904	" " Thumb Screw.....
54488	9903	Feed Bar with 50429C and two 453C.....
54020	8902	" " Connection.....
57225	8904	" " Hinge Pin.....
453C	8901	" " " " " " Set Screw.....
54111	8902	" " Connecting Rod with 1057E and two 896E.....
54113	-----	Feed Connecting Rod 54111 with 54025....
896E	8904	" " " " Cap Screw.....
1057E	8904	" " " " Clamping Screw.....
54023	9882	" " " " Hinge Pin.....
21506	8904	" " " " " " Collar with 457C.....
457C	8904	Feed Connecting Rod Hinge Pin Collar Set Screw.....

No.	Plate	Name
68120	9892	Feed Dog, 15 teeth (10 teeth to the inch) for 68139.....
50073J	9901	Feed Dog Screw.....
50429C	8904	" " Stop Screw.....
51061C	8958	" Eccentric Body Set Screw.....
7071	8904	" " Clamping Washer.....
217D	8904	" " " " Screw....
54025	8985	Feed Eccentric (adjustable) complete, Nos. 1103C, two each 217D, 7071 and three 51061C.....
1103C	8904	Feed Regulating Screw.....
54026	9902	" Rocking Frame with two 453C.....
68022	-----	" " " 54026 with 21506, 54020, 54023, 54488 and 57225.....
57234	9882	Feed Rocking Frame Hinge Pin.....
57235	8985	" " " " " " Bushing....
453C	8901	" " " " " " Set Screw.....
453C	8901	Feed Rocking Frame Hinge Pin Set Screw..
68121	9897	Looper.....
131296	20693	" (self threading) with 590J and 38393.....
54027	9883	Looper Carrier with two 175E.....
175E	20693	" " Adjusting Screw.....
54227	9883	" " Connection.....
54228	9883	" " " " Shaft.....
54229	9883	" " " " " Bushing
446C	8901	" " " " " " Set Screw.....
49013	8904	Looper Carrier Connection Shaft Oil Pad (braided cotton).....
54230	9883	Looper Carrier Driver with four 175E....
175E	8958	" " " " Cap Screw.....
*54368	9897	" Driving Shaft and Feed Lifting Eccentric with 227E and two 64315.....

Note: When No. 54368 is required for repairs, the Arm Rotary Shaft must be returned to the factory to be adjusted to the new part.

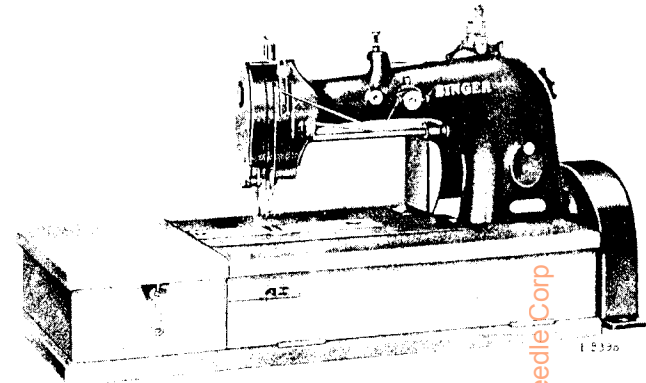
54383	-----	Looper Driving Shaft and Feed Lifting Eccentric 54368 with 54027, 54227, 54228 and 54230.....
*54034	-----	Looper Driving Shaft and Feed Lifting Eccentric Bracket with 761E.....
54080	9897	Looper Driving Shaft and Feed Lifting Eccentric Bracket Bushing.....
761E	8901	Looper Driving Shaft and Feed Lifting Eccentric Bracket Bushing Set Screw.
948J	8958	Looper Driving Shaft and Feed Lifting Eccentric Bracket Screw.....
64315	9870	Looper Driving Shaft and Feed Lifting Eccentric Oil Hole Plug.....

No.	Plate	Name
227E	8958	Looper Driving Shaft and Feed Lifting Eccentric Oil Hole Plug Screw.....
40326	9900	Looper Driving Shaft and Feed Lifting Eccentric Oil Pad (braided cotton)..
640E	8958	Looper Driving Shaft and Feed Lifting Eccentric Screw.....
54035	9897	Looper Holder with 1120C.....
704W	8958	" " Screw.....
1120C	8958	" Set Screw.....
38393	20693	" Thread Guard for 131296.....
590J	20693	" " " Screw for 131296....
54036	9897	Needle Bar (hollow) with 857C.....
38456	9882	" " Bushing (lower).....
1133E	8958	" " " " Set Screw....
64320	9882	" " " (upper).....
1133E	8958	" " " " Set Screw....
54326	9882	" " Connecting Link.....
54329	-----	" " " " 54326 with 54327 and 54328.....
54327	9882	Needle Bar Connecting Link Hinge Stud..
1520J	9901	" " " " " "
		Nut.....
54328	9882	Needle Bar Connecting Stud with 211F and two 187E.....
187E	8958	Needle Bar Connecting Stud Clamping Screw.....
68122	9897	Needle Guard.....
68123	9897	" " Clamp.....
857C	8958	" Set Screw.....
54108	-----	Oil Tube.....
54109	-----	" " Bracket.....
49092	9870	" " Packing (felt).....
54110	9870	Oil Tube complete, for oiling Crank Connecting Rod (upper bearing), Nos. 49092, 54108 and 54109.....
64330	9902	Presser Bar with 25303.....
25303	9899	" " Ball, size 1/4 in.....
64331	9882	" " Bushing (lower).....
1133E	8958	" " " " Set Screw...
38456	9882	" " " (upper).....
1133E	8958	" " " " Set Screw...
54039	8985	" " Guide Bracket with 453C, 640J and 1963.....
640J	8958	Presser Bar Guide Bracket Adjusting Screw.....
11173	8985	Presser Bar Guide Bracket Guide.....
447C	8958	" " " " " Set Screw
1963	8985	" " " " Roller and Stud
453C	8901	" " " " Set Screw.....
57257	9882	" " Lifter.....



No.	Plate	Name
38478	9899	Thread (under) Take-up Staple with two each 590D and 38481.....
54049	9902	Thread (under) Take-up Staple Bracket with 460C.....
965D	9901	Thread (under) Take-up Staple Bracket Screw.....
46041	9899	Thread (under) Take-up Staple Spring....
190D	8958	" " " " " Screw
38481	9899	" " " " Thread Guard
590D	8958	" " " " " Screw.....
38482	9899	Thread (under) Take-up Stripper.....
207D	9901	" " " " " Screw...
64355	9899	" " " " Thread Guard (brass).....
64356	9899	Thread (under) Take-up Thread Guard Steady Pin.....
460C	9901	Thread (under) Take-up Thread Guard Steady Pin Set Screw.....
68129	9898	Thread (upper) Nipper Body.....
1149C	9901	" " " " " Set Screw....
68130	9898	" " " " Disc (inside)....
68131	9898	" " " " " " Washer (fibre).....
68132	9898	Thread (upper) Nipper Disc (outside)....
1698R	9898	" " " " " Nut
59456	9898	" " " " " " Washer.....
68133	9898	Thread (upper) Nipper Roller.....
68134	9898	" " " " " Hinge Pin.
68135	9898	" " " " " Stud.....
68136	----	" " " " " 68135 with 68133 and 68134.....
13218	9898	Thread (upper) Nipper Stud Spring.....
68137	----	Thread (upper) Nipper complete, Nos. 1698R, 13218, 59456, 68129 to 68132 and 68136.....
68138	9898	Thread (upper) Nipper Thread Guide.....
207D	9901	" " " " " " Screw
54051	9899	" " " " " Take-up.....
211F	8958	" " " " " Set Screw.....
68139	9892	Throat Plate for 68120.....
742F	9901	" " " " " Screw.....
*15404	----	Trade Mark.....
15405	----	" " " " Rivet.....

LIST OF PARTS COMPLETE FOR



MACHINE No. 147-6

FOR AUTOMOBILE UPHOLSTERY. ONE NEEDLE, ONE LOOPER. ALTERNATING PRESSER. INDEPENDENT UPPER AND UNDER FEED. CLEARANCE UNDER PRESSER FOOT 1/2 INCH. SPEED UP TO 2600 R.P.M., ACCORDING TO THE MATERIAL BEING STITCHED.

No.	Plate	Name
*68168	----	Arm, upper and lower (solid) with 948J, 15404, 54034 and two 15405.....
42366	8901	Arm Oil Pad (braided cotton) for oiling Arm Rock Shaft Front Bearing.....
56006	8901	Arm Oil Pad (braided cotton) for oiling Arm Rock Shaft Intermediate Bearing.
56003	8985	Arm Oil Tube with 52045, for oiling 54326.....
40217	9900	Arm Oil Tube with 52045, for oiling 54147.....
11119	8901	Arm Oil Tube with 52045, for oiling 68137.....
52045	8901	Arm Oil Tube Packing (braided cotton)...
68213	9904	" " " " Rock Shaft.....
68214	----	" " " " 68213 with 54004 and 54132

From the list of Diamond Needle Corp

No.	Plate	Name
64386	8901	Arm Rock Shaft Bushing (back).....
446C	8901	" " " " " Set Screw.
64388	8901	" " " " " (intermediate)...
423C	8901	" " " " " " Set Screw.....
52045	8901	Arm Rock Shaft Bushing Oil Pad (braided cotton).....
54004	8901	Arm Rock Shaft Collar with two 453C....
453C	8901	" " " " " Set Screw.....
131072	20693	" " " Crank, back (ball bearing, solid) with two 50083C.....
50083C	8901	Arm Rock Shaft Crank (back) Set Screw...
54132	9900	" " " " (front) with 448C and 453C.....
2117	8901	Arm Rock Shaft Crank (front) Pin.....
448C	8958	" " " " " " Set Screw..
54105	8901	" " " Flanged Bushing (front)..
52045	8901	" " " " " " Oil Pad (braided cotton).....
453C	8901	Arm Rock Shaft Flanged Bushing (front) Set Screw.....
*68110	9904	Arm Rotary Shaft.....
Note: When No. 68110 is required for repairs, the Looper Driving Shaft and Feed Lifting Eccentric must be returned to the factory to be adjusted to the new part.		
68212	-----	Arm Rotary Shaft 68110 with 640E, 54113, 54383, 54450, 64351, 64355, 68211 and 131344.....
54367	8985	Arm Rotary Shaft Bushing (front).....
761E	8901	" " " " " " Set Screw.....
54007	8902	Arm Rotary Shaft Bushing (intermediate). " " " " " "
54089	-----	54007 with 64506 and 64805.....
64508	8902	Arm Rotary Shaft Bushing (intermediate) Oil Pad, long (braided cotton).....
64805	8985	Arm Rotary Shaft Bushing (intermediate) Oil Pad, short (braided cotton)....
422C	8901	Arm Rotary Shaft Bushing (intermediate) Set Screw (long).....
50084C	8901	Arm Rotary Shaft Bushing (intermediate) Set Screw (short).....
54450	20693	Arm Rotary Shaft Collar with two 1258C..
1258C	20693	" " " " " Set Screw.....
54009	8902	" " " Flanged Bushing.....
54000	-----	" " " " " " 54009 with 58039 and 64805.....
58039	8902	Arm Rotary Shaft Flanged Bushing Oil Pad, long (braided cotton).....

No.	Plate	Name
64805	8985	Arm Rotary Shaft Flanged Bushing Oil Pad, short (braided cotton).....
159F	8901	Arm Rotary Shaft Flanged Bushing Screw..
49013	8904	" " " " Front Bearing Oil Pad (braided cotton).....
144D	8901	Arm Rotary Shaft Screw.....
15196	8902	" Side Cover (back).....
793D	9901	" " " " Thumb Screw.....
54010	8904	" " " (front).....
286D	8904	" " " " Thumb Screw.....
54210	9889	Balance Wheel, 2 5/8 in. pulley, with two 51283C.....
51283C	20693	Balance Wheel Set Screw.....
68169	9904	Cloth Plate.....
68030	9900	" " Oil Tube with 49092.....
49092	9870	" " " " Packing (felt)....
54012	8902	" " Slide (left).....
38419	8904	" " " " Spring.....
725J	8904	" " " " " Screw...
54013	-----	Cloth Plate Slide (left) complete, Nos. 38419, 54012 and two 725J.....
54057	9889	Cloth Plate Slide (right).....
38419	8904	" " " " Spring.....
725J	8904	" " " " " Screw..
54058	-----	Cloth Plate Slide (right) complete, Nos. 38419, 54057 and two 725J.....
68170	-----	Cloth Plate complete, Nos. 54013, 54058, 68030 and 68169.....
1011F	8904	Cloth Plate Screw (left).....
50473F	8904	" " " (right).....
68216	9904	" " Thread Guard.....
1235F	8904	" " " " Screw.....
54017	8902	Crank Connecting Rod with 6575, 54218, 68350 and two each 896E and 1057E...
131344	-----	Crank Connecting Rod 54017 with 131072..
896E	8904	" " " Cap (lower) Screw..
1057E	8904	" " " " (upper) Screw..
68350	20693	" " " Oil Cup.....
54218	8904	" " " " Oil Pad (braided cotton).....
6575	8904	Crank Connecting Rod Oil Cup Oil Pad Stop Pin.....
68171	9902	Face Plate.....
142D	9901	" " Screw.....
54111	8902	Feed Connecting Rod with 1057E and two 896E.....
54113	-----	Feed Connecting Rod 54111 with 54025....
896E	8904	" " " Cap Screw.....
1057E	8904	" " " Clamping Screw.....
54023	9882	" " " Hinge Pin.....



No.	Plate	Name
21506	8904	Feed Connecting Rod Hinge Pin Collar with 457C.....
457C	8904	Feed Connecting Rod Hinge Pin Collar Set Screw.....
68120	9892	Feed Dog, 15 teeth (10 teeth to the inch) for 68139.....
50073J	9901	Feed Dog Screw.....
50429C	8904	" " Stop Screw.....
51061C	8958	" Eccentric Body Set Screw.....
7071	8904	" " Clamping Washer.....
217D	8904	" " " " Screw....
54025	8985	Feed Eccentric (adjustable) with 1103C, two each 217D, 7071 and three 51061C
1103C	8904	Feed Regulating Screw.....
54488	9903	" (lower) Bar with 50429C and two 453C.....
54020	8902	Feed (lower) Bar Connection.....
57225	8904	" " " Hinge Pin.....
453C	8901	" " " " " Set Screw....
54026	9902	" " Rocking Frame with two 453C
68022	-----	" " " " 54026 with 21506, 54020, 54023, 54488 and 57225...
57234	9882	Feed (lower) Rocking Frame Hinge Pin....
57235	8985	" " " " " " "
		Bushing.....
453C	8901	Feed (lower) Rocking Frame Hinge Pin Bushing Set Screw.....
453C	8901	Feed (lower) Rocking Frame Hinge Pin Set Screw.....
68172	9895	Feed (upper) Bar.....
68215	-----	" " " 68172 with 1194C, 1749C, 9525, 68173 to 68175, 68177, 68178, two each 1283C, 1708J and three 1239F...
1239F	9895	Feed (upper) Bar Cap Screw.....
68173	9895	" " " Connecting Bracket with 50200C.....
50200C	8958	Feed (upper) Bar Connecting Bracket Set Screw.....
68174	9895	Feed (upper) Bar Connecting Link.....
1283C	9895	" " " " " Hinge Screw.....
1708J	9895	Feed (upper) Bar Connecting Link Hinge Screw Nut.....
68175	9895	Feed (upper) Bell Crank.....
1239F	9895	" " " " " Cap Screw.....
54111	8902	" " Connecting Rod with 1057E and two 896E.....
68211	-----	Feed (upper) Connecting Rod 54111 with 68176.....
896E	8904	Feed (upper) Connecting Rod Cap Screw...

No.	Plate	Name
1057E	8904	Feed (upper) Connecting Rod Clamping Screw.....
54147	9895	Feed (upper) Connection.....
54148	9895	" " " Pin.....
453C	8901	" " " " Set Screw...
24479	9895	" " " Slide Bar.....
50200C	8958	" " " " " Set Screw.....
68176	9896	Feed (upper) Eccentric with two 1036C...
1036C	8958	" " " " Set Screw.....
1194C	9901	" " " Lifting Regulating Screw...
1749C	9895	" " " " "
		Nut.....
9525	9895	Feed (upper) Lifting Regulating Screw Nut Washer.....
131711	20693	Feed (upper) Lifting Regulator.....
68177	9895	" " " " Connecting Link.....
1239F	9895	Feed (upper) Lifting Regulator Connecting Link Cap Screw.....
54152	9895	Feed (upper) Lifting Regulator Shaft Crank with two 140123C.....
140123C	20693	Feed (upper) Lifting Regulator Shaft Crank Set Screw.....
50950C	9896	Feed (upper) Regulating Screw Stud.....
51584C	9896	" " " " " Nut..
14017	9896	" " " " " Washer.....
68240	9896	Feed (upper) Regulator.....
68051	9903	" " " Bracket.....
129E	9901	" " " " Screw....
68052	9896	" " " " Crank with two 1259C.....
23866	9896	Feed (upper) Regulator Crank Hinge Stud (eccentric).....
1259C	8958	Feed (upper) Regulator Crank Set Screw..
54155	9903	" " Rock Shaft.....
54369	9896	" " " " Collar with two 465C.....
465C	8958	Feed (upper) Rock Shaft Collar Set Screw
128690	9896	" " " " Crank (back) with two 50200C.....
50200C	8958	Feed (upper) Rock Shaft Crank (back) Set Screw.....
68178	9895	Feed (upper) Rock Shaft Crank (front) with 172E.....
172E	9901	Feed (upper) Rock Shaft Crank (front) Clamping Screw.....
68179	9896	Feed (upper) Rock Shaft Pitman.....
68225	-----	" " " " " 68179 with 41F, 1520J, 14017, 50950C and 51584C...

No.	Plate	Name
41F	9896	Feed (upper) Rock Shaft Pitman Hinge Screw.....
1520J	9901	Feed (upper) Rock Shaft Pitman Hinge Screw Nut.....
68180	9891	Feeding Foot, for plain stitching.....
68228	9892	" " for welting, to feed on the welt.....
68230	9892	Feeding Foot, for welting, to feed on right hand side of the welt.....
203D	9901	Feeding Foot Screw.....
57255	9902	Lifting Presser Bar with 25303.....
25303	9899	" " " Ball, size 1/4 in..
46338	9898	" " " Bushing (lower).....
1133E	8958	" " " " " Set Screw.....
38456	9882	Lifting Presser Bar Bushing (upper).....
1133E	8958	" " " " " Set Screw.....
54039	8985	Lifting Presser Bar Guide Bracket (low- er) with 453C, 640J and 1963.....
640J	8958	Lifting Presser Bar Guide Bracket (low- er) Adjusting Screw.....
11173	8985	Lifting Presser Bar Guide Bracket (low- er) Guide.....
447C	8958	Lifting Presser Bar Guide Bracket (low- er) Guide Set Screw.....
1963	8985	Lifting Presser Bar Guide Bracket (low- er) Roller and Stud.....
453C	8901	Lifting Presser Bar Guide Bracket (low- er) Set Screw.....
68181	9896	Lifting Presser Bar Guide Bracket (up- per) with 50200C.....
50200C	8958	Lifting Presser Bar Guide Bracket (up- per) Set Screw.....
68182	9903	Lifting Presser Bar Lifter.....
1872	8985	" " " " " Roller and Stud
68351	20693	" " " Lifting Bracket with 462C and 1872.....
68183	9903	Lifting Presser Bar Lifting Lever.....
54197	9898	" " " " " Con- necting Stud.....
462C	8958	Lifting Presser Bar Lifting Lever Con- necting Stud Set Screw.....
68184	9903	Lifting Presser Bar Lifting Lever Exten- sion (back).....
161C	8958	Lifting Presser Bar Lifting Lever Exten- sion (back) Screw.....
68185	9903	Lifting Presser Bar Lifting Lever Exten- sion (front).....
704C	8958	Lifting Presser Bar Lifting Lever Exten- sion (front) Screw.....

No.	Plate	Name
802D	8958	Lifting Presser Bar Lifting Lever Hinge Screw.....
38467	9902	Lifting Presser Bar Spring (flat).....
38468	9901	" " " " Stud.....
68186	9891	" " Foot, for plain stitching
68229	9892	" " for welting.....
190D	8958	" " " Screw.....
68121	9897	Looper.....
131296	20693	Looper (self threading) with 590J and 38393.....
54027	9883	Looper Carrier with two 175E.....
175E	20693	" " Adjusting Screw.....
54227	9883	" " Connection.....
54228	9883	" " " Shaft.....
54229	9883	" " " " Bushing.
446C	8901	" " " " " Set Screw.....
49013	8904	Looper Carrier Connection Shaft Oil Pad (braided cotton).....
54230	9883	Looper Carrier Driver with four 175E....
175E	8958	" " " Cap Screw.....
*54368	9897	" Driving Shaft and Feed Lifting Eccentric with 227E and two 64315...
Note: When No. 54368 is required for repairs, the Arm Rotary Shaft must be returned to the factory to be adjusted to the new part.		
54363	-----	Looper Driving Shaft and Feed Lifting Eccentric 54368 with 54027, 54227, 54228 and 54230.....
*54034	-----	Looper Driving Shaft and Feed Lifting Eccentric Bracket with 761E.....
54080	9897	Looper Driving Shaft and Feed Lifting Eccentric Bracket Bushing.....
761E	8901	Looper Driving Shaft and Feed Lifting Eccentric Bracket Bushing Set Screw.
948D	8958	Looper Driving Shaft and Feed Lifting Eccentric Bracket Screw.....
64315	9870	Looper Driving Shaft and Feed Lifting Eccentric Oil Hole Plug.....
227E	8958	Looper Driving Shaft and Feed Lifting Eccentric Oil Hole Plug Screw.....
40326	9900	Looper Driving Shaft and Feed Lifting Eccentric Oil Pad (braided cotton)..
640E	8958	Looper Driving Shaft and Feed Lifting Eccentric Screw.....
54035	9897	Looper Holder with 1120C.....
704W	8958	" " Screw.....
1120C	8958	" Set Screw.....
38393	20693	" Thread Guard for 131296.....
590J	20693	" " " Screw for 131296....

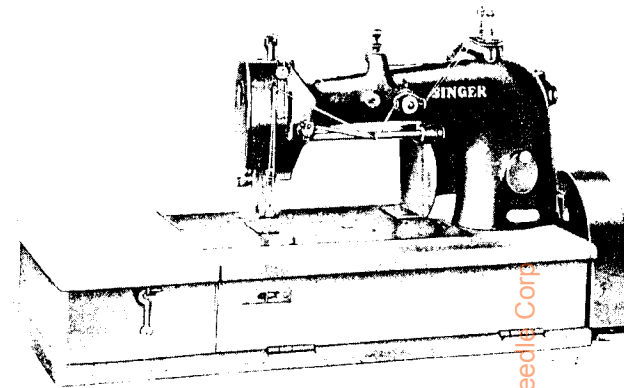
No.	Plate	Name
54036	9897	Needle Bar (hollow) with 857C.....
38456	9882	" " Bushing (lower).....
1133E	8958	" " " " Set Screw....
68187	9898	" " " " (upper).....
1133E	8958	" " " " Set Screw....
54326	9882	" " Connecting Link.....
54329	-----	" " " " 54326 with 54327 and 54328.....
54327	9882	Needle Bar Connecting Link Hinge Stud...
1520J	9901	" " " " " " Nut
54328	9882	" " " " Stud with 211F and two 187E.....
187E	8958	Needle Bar Connecting Stud Clamping Screw.....
68122	9897	Needle Guard.....
68123	9897	" " Clamp.....
857C	8958	" Set Screw.....
54108	-----	Oil Tube.....
54109	-----	" " Bracket.....
49092	9870	" " Packing (felt).....
54110	9870	Oil Tube complete, for oiling Crank Con- necting Rod (upper bearing), Nos. 49092, 54108 and 54109.....
574W	8958	Pressure Regulating Thumb Screw.....
1539W	9901	" " " " Lock Nut
54381	9870	Slack Thread Controller.....
54242	9870	" " " Clamp.....
190D	8958	" " " " Screw....
68126	9899	" " Regulator.....
54042	9870	" " " Holder with 175E and two 50150C.....
175E	8958	Slack Thread Regulator Holder Clamping Screw.....
54043	9870	Slack Thread Regulator Holder Shaft.....
24292	9870	" " " " " Collar with 1019C.....
1019C	8958	Slack Thread Regulator Holder Shaft Collar Set Screw.....
54044	9870	Slack Thread Regulator Holder Shaft Crank (forked) with 1253C.....
1253C	8958	Slack Thread Regulator Holder Shaft Crank Set Screw.....
50150C	8958	Slack Thread Regulator Set Screw.....
2102	8964	Tension (under thread) Disc.....
51570	8964	" " " " Regulating Thumb Nut.....
50326C	8964	Tension (under thread) Screw Stud.....
59539	-----	" " " " " 50326C with 51570C.....
59534	8964	Tension (under thread) Spring.....

No.	Plate	Name
59537	8964	Tension (under thread) Spring Bushing (large).....
59538	8964	Tension (under thread) Spring Bushing (small).....
17547	8964	Tension (under thread) Thread Guide....
54045	8964	" (upper thread) Bracket.....
376D	8958	" " " " Screw....
2102	8964	" " " " Disc.....
12486	9900	" " " " Oil Cup Packing (felt).....
44224	9900	Tension (upper thread) Oil Cup Thread Retainer.....
68190	9900	Tension (upper thread) Oil Cup complete, Nos. 12486 and 44224.....
51570C	8964	Tension (upper thread) Regulating Thumb Nut.....
32572	8964	Tension (upper thread) Releasing Disc...
54988	8964	" " " " Pin....
54046	8964	" " " " Shaft..
54047	8964	" " " " " "
54048	8964	Crank with 624C.....
624C	8958	Tension (upper thread) Releasing Shaft Crank Link.....
68261	9901	Tension (upper thread) Releasing Shaft Crank Set Screw.....
316F	8958	Tension (upper thread) Releasing Shaft Stop Screw.....
1547J	9901	Tension (upper thread) Releasing Shaft Stop Screw Nut.....
50326C	8964	Tension (upper thread) Screw Stud.....
59539	-----	" " " " " 50326C with 51570C.....
59535	8964	Tension (upper thread) Spring.....
59537	8964	" " " " Bushing (large).....
59538	8964	Tension (upper thread) Spring Bushing (small).....
131696	20693	Tension (upper thread) Thread Guide (double).....
68078	9899	Thread (under) Eyelet (back).....
190D	8958	" " " " " Screw.....
38284	9898	" " " " (front).....
64351	9870	" " Nipper Cam with 465C....
465C	8958	" " " " Set Screw....
38210	9870	" " " " Spring (lower)....
38211	9870	" " " " " (upper)....
46247	9870	" " " " " Stop
176D	8958	Thread (under) Nipper Spring Screw.....

From the Library of the University of Toronto

No.	Plate	Name
68128	9900	Thread (under) Take-up with two 465C....
465C	8958	" " " Set Screw.....
38478	9899	" " " Staple with two each 590D and 38481.....
54049	9902	Thread (under) Take-up Staple Bracket with 460C.....
965D	9901	Thread (under) Take-up Staple Bracket Screw.....
46041	9899	Thread (under) Take-up Staple Spring....
190D	8958	" " " " " " Screw.....
38481	9899	Thread (under) Take-up Staple Thread Guard.....
590D	8958	Thread (under) Take-up Staple Thread Guard Screw.....
38482	9899	Thread (under) Take-up Stripper.....
207D	9901	" " " " " Screw...
64355	9899	" " " Thread Guard (brass).....
64356	9899	Thread (under) Take-up Thread Guard Steady Pin.....
460C	9901	Thread (under) Take-up Thread Guard Steady Pin Set Screw.....
68129	9898	Thread (upper) Nipper Body.....
1149C	9901	" " " " Set Screw....
68130	9898	" " " Disc (inside)....
68131	9898	" " " " Washer (fibre).....
68132	9898	Thread (upper) Nipper Disc (outside)....
1698R	9898	" " " " " Nut
59456	9898	" " " " " " Washer.....
68133	9898	Thread (upper) Nipper Roller.....
68134	9898	" " " " Hinge Pin..
68135	9898	" " " Stud.....
68136	-----	" " " " 68135 with 68133 and 68134.....
13218	9898	Thread (upper) Nipper Stud Spring.....
68137	-----	Thread (upper) Nipper complete, Nos. 1698R,13218,59456,68129 to 68132 and 68136.....
68138	9898	Thread (upper) Nipper Thread Guide.....
207D	9901	" " " " " Screw
54051	9899	" " Take-up.....
211F	8958	" " " Set Screw.....
68139	9892	Throat Plate for 68120.....
742F	9901	" " " Screw.....
*15404	-----	Trade Mark.....
15405	-----	" " Rivet.....

## LIST OF PARTS COMPLETE FOR



## MACHINE No. 147-37

FOR AUTOMOBILE UPHOLSTERY. TWO NEEDLES, TWO LOOPERS. GAUGES  $\frac{1}{8}$  TO  $\frac{3}{8}$  INCH, IN STEPS OF  $\frac{1}{32}$  INCH. THE STANDARD GAUGE IS  $\frac{1}{4}$  INCH FOR REGULAR WORK AND  $\frac{5}{16}$  AND  $\frac{3}{8}$  INCH FOR RUG WORK. ALTERNATING PRESSER. INDEPENDENT UPPER AND UNDER FEED. CLEARANCE UNDER PRESSER FOOT  $\frac{1}{2}$  INCH. SPEED UP TO 2600 R. P. M., ACCORDING TO THE MATERIAL BEING STITCHED.

No.	Plate	Name
*68168	-----	Arm, upper and lower (solid) with 948J, 15404, 54034 and two 15405.....
42366	8901	Arm Oil Pad (braided cotton) for oiling Arm Rock Shaft Front Bearing.....
56006	8901	Arm Oil Pad (braided cotton) for oiling Arm Rock Shaft Intermediate Bearing.
56003	8985	Arm Oil Tube with 52045, for oiling 54326
40217	9900	" " " " " " " " 54147
11119	8901	" " " " " " " " 68137
52045	8901	" " " " " " " " Packing (braided cotton)...
68213	9904	" Rock Shaft.....

No.	Plate	Name
68214	-----	Arm Rock Shaft 68213 with 54004 and 54132.....
64386	8901	Arm Rock Shaft Bushing (back).....
446C	8901	" " " " " Set Screw.
64388	8901	" " " " (intermediate)...
423C	8901	" " " " " Set Screw.....
52045	8901	Arm Rock Shaft Bushing Oil Pad (braided cotton).....
54004	8901	Arm Rock Shaft Collar with two 453C....
453C	8901	" " " " " Set Screw.....
131072	20693	" " " Crank, back (ball bearing, solid) with two 50083C.....
50083C	8901	Arm Rock Shaft Crank (back) Set Screw...
54132	9900	" " " " (front) with 448C and 453C.....
2117	8901	Arm Rock Shaft Crank (front) Pin.....
448C	8958	" " " " " Set Screw..
54105	8901	" " " Flanged Bushing (front)..
52045	8901	" " " " " " " Oil Pad (braided cotton).....
455C	8901	Arm Rock Shaft Flanged Bushing (front) Set Screw.....
*68110	9904	Arm Rotary Shaft.....
Note: When No. 68110 is required for repairs, the Looper Driving Shaft and Feed Lifting Eccentric must be returned to the factory to be adjusted to the new part.		
68212	-----	Arm Rotary Shaft 68110 with 640E, 54113, 54383, 54450, 64351, 64355, 68211 and 131344.....
54367	8985	Arm Rotary Shaft Bushing (front).....
761E	8901	" " " " " Set Screw.....
54007	8902	Arm Rotary Shaft Bushing (intermediate).
54089	-----	" " " " " " 54007 with 64508 and 64805.....
64508	8902	Arm Rotary Shaft Bushing (intermediate) Oil Pad, long (braided cotton).....
64805	8985	Arm Rotary Shaft Bushing (intermediate) Oil Pad, short (braided cotton).....
422C	8901	Arm Rotary Shaft Bushing (intermediate) Set Screw (long).....
50084C	8901	Arm Rotary Shaft Bushing (intermediate) Set Screw (short).....
54450	20693	Arm Rotary Shaft Collar with two 1258C..
1258C	20693	" " " " " Set Screw.....
54009	8902	" " " Flanged Bushing.....
54090	-----	" " " " " 54009 with 58039 and 64805.....

No.	Plate	Name
58039	8902	Arm Rotary Shaft Flanged Bushing Oil Pad, long (braided cotton).....
64805	8985	Arm Rotary Shaft Flanged Bushing Oil Pad, short (braided cotton).....
159F	8901	Arm Rotary Shaft Flanged Bushing Screw..
49013	8904	" " " Front Bearing Oil Pad (braided cotton).....
144D	8901	Arm Rotary Shaft Screw.....
15196	8902	" Side Cover (back).....
286D	8904	" " " " Thumb Screw.....
54010	8904	" " " (front).....
286D	8904	" " " " Thumb Screw.....
54210	9889	Balance Wheel, 2 5/8 in. pulley, with two 51283C.....
51283C	20693	Balance Wheel Set Screw.....
68169	9904	Cloth Plate.....
68030	9900	" " Oil Tube with 49092.....
49092	9870	" " " " Packing (felt).....
54012	8902	" " Slide (left).....
38419	8904	" " " " Spring.....
725J	8904	" " " " " Screw....
54013	-----	Cloth Plate Slide (left) complete, Nos. 38419, 54012 and two 725J.....
68191	9902	Cloth Plate Slide (right).....
38419	8904	" " " " Spring.....
725J	8904	" " " " " Screw..
68192	-----	Cloth Plate Slide (right) complete, Nos. 38419, 68191 and two 725J.....
68193	-----	Cloth Plate complete, for 5/16 in. to 3/8 in. gauges, for 68198 Nos. 54013, 68030, 68169 and 68192.....
1011F	8904	Cloth Plate Screw (left).....
50473F	8904	" " " " (right).....
68216	9904	" " Thread Guard.....
1235F	8904	" " " " " Screw.....
54017	8902	Crank Connecting Rod with 6575, 54218, 68350 and two each 896E and 1057E...
131344	-----	Crank Connecting Rod 54017 with 131072..
896E	8904	" " " " Cap (lower) Screw..
1057E	8904	" " " " (upper) Screw..
68350	20693	" " " " Oil Cup.....
54218	8904	" " " " " Oil Pad (braided cotton).....
6575	8904	Crank Connecting Rod Oil Cup Oil Pad Stop Pin.....
68171	9902	Face Plate.....
142D	9901	" " " " Screw.....
54111	8902	Feed Connecting Rod with 1057E and two 896E.....
54113	-----	Feed Connecting Rod 54111 with 54025....

No.	Plate	Name	No.	Plate	Name
896E	8904	Feed Connecting Rod Cap Screw.....	68211	-----	Feed (upper) Connecting Rod 54111 with 68176.....
1057E	8904	" " " Clamping Screw.....	896E	8904	Feed (upper) Connecting Rod Cap Screw...
54023	9882	" " " Hinge Pin.....	1057E	8904	" " " " Clamping Screw.....
21506	8904	" " " " " Collar with 457C.....	54147	9895	Feed (upper) Connection.....
457C	8904	Feed Connecting Rod Hinge Pin Collar Set Screw.....	54148	9895	" " " " Pin.....
68194	9893	Feed Dog, 14 teeth (10 teeth to the inch) for 68198.....	453C	8901	" " " " Set Screw...
50073J	9901	Feed Dog Screw.....	24479	9895	" " " " Slide Bar.....
50429C	8904	" " Stop Screw.....	50200C	8958	" " " " " Set Screw.....
51061C	8958	" Eccentric Body Set Screw.....	68176	9896	Feed (upper) Eccentric with two 1036C...
7071	8904	" " Clamping Washer.....	1036C	8958	" " " " Set Screw.....
217D	8904	" " " " " Screw....	1194C	9901	" " " " Lifting Regulating Screw...
54025	8985	Feed Eccentric (adjustable) complete, Nos. 1103, two each 217D, 7071 and three 51061C.....	1749C	9895	" " " " " Nut
1103C	8904	Feed Regulating Screw.....	9525	9895	Feed (upper) Lifting Regulating Screw Nut Washer.....
54488	9903	" (lower) Bar with 50429C and two 453C	131711	20693	Feed (upper) Lifting Regulator.....
54020	8902	Feed (lower) Bar Connection.....	68177	9895	" " " " " Connecting Link.....
57225	8904	" " " " " Hinge Pin.....	1239F	9895	Feed (upper) Lifting Regulator Connecting Link Cap Screw.....
453C	8901	" " " " " Set Screw....	54152	9895	Feed (upper) Lifting Regulator Shaft Crank with two 140123C.....
54026	9902	" " " " " Rocking Frame with two 453C	140123C	20693	Feed (upper) Lifting Regulator Shaft Crank Set Screw.....
68022	-----	" " " " " 54026 with 21506, 54020, 54023, 54488 and 57225	50950C	9896	Feed (upper) Regulating Screw Stud.....
57234	9882	Feed (lower) Rocking Frame Hinge Pin....	51584C	9896	" " " " " Nut..
57235	8985	" " " " " " " Bushing.....	14017	9896	Feed (upper) Regulating Screw Stud Nut Washer.....
453C	8901	Feed (lower) Rocking Frame Hinge Pin Bushing Set Screw.....	68240	9896	Feed (upper) Regulator.....
453C	8901	Feed (lower) Rocking Frame Hinge Pin Set Screw.....	68051	9903	" " " " " Bracket.....
68172	9895	Feed (upper) Bar.....	129E	9901	" " " " " Screw....
68215	-----	" " " " " 68172 with 1194C, 1749C, 9525, 68173 to 68175, 68177, 68178, two each 1283C, 1708J and three 1239F...	68052	9896	" " " " " Crank with two 1259C.....
1239F	9895	Feed (upper) Bar Cap Screw.....	23866	9896	Feed (upper) Regulator Crank Hinge Stud (eccentric).....
68173	9895	" " " " " Connecting Bracket with 50200C.....	1259C	8958	Feed (upper) Regulator Crank Set Screw..
50200C	8958	Feed (upper) Bar Connecting Bracket Set Screw.....	54155	9903	" " " " " Rock Shaft.....
68174	9895	Feed (upper) Bar Connecting Link.....	54369	9896	" " " " " Collar with two 465C.....
1283C	9895	" " " " " " " Hinge Screw.....	465C	8958	Feed (upper) Rock Shaft Collar Set Screw
1708J	9895	Feed (upper) Bar Connecting Link Hinge Screw Nut.....	128690	9896	" " " " " Crank (back) with two 50200C.....
68175	9895	Feed (upper) Bell Crank.....	50200C	8958	Feed (upper) Rock Shaft Crank (back) Set Screw.....
1239F	9895	" " " " " Cap Screw.....	68178	9895	Feed (upper) Rock Shaft Crank (front) with 172E.....
54111	8902	" " " " " Connecting Rod with 1057E and two 896E.....	172E	9901	Feed (upper) Rock Shaft Crank (front) Clamping Screw.....

 For the library of: [www.machinery.com](http://www.machinery.com)

No.	Plate	Name
68179	9896	Feed (upper) Rock Shaft Pitman.....
68225	-----	" " " " " 68179 with 41F, 1520J, 14017, 50950C and 51584C
41F	9896	Feed (upper) Rock Shaft Pitman Hinge Screw.....
1520J	9901	Feed (upper) Rock Shaft Pitman Hinge Screw Nut.....
68195	9894	Feeding Foot, 20 teeth (16 teeth to the inch) for 3/16 in. to 3/8 in. gauges
203D	9901	Feeding Foot Screw.....
57255	9902	Lifting Presser Bar with 25303.....
25303	9899	" " " Ball, size 1/4 in...
46338	9898	" " " Bushing (lower)....
1133E	8958	" " " " " Set Screw.....
38456	9882	Lifting Presser Bar Bushing (upper)....
1133E	8958	" " " " " Set Screw.....
54039	8985	Lifting Presser Bar Guide Bracket (low- er) with 453C, 640J and 1963.....
640J	8958	Lifting Presser Bar Guide Bracket (low- er) Adjusting Screw.....
11173	8985	Lifting Presser Bar Guide Bracket (low- er) Guide.....
447C	8958	Lifting Presser Bar Guide Bracket (low- er) Guide Set Screw.....
1963	8985	Lifting Presser Bar Guide Bracket (low- er) Roller and Stud.....
453C	8901	Lifting Presser Bar Guide Bracket (low- er) Set Screw.....
68181	9896	Lifting Presser Bar Guide Bracket (up- per) with 50200C.....
50200C	8958	Lifting Presser Bar Guide Bracket (up- per) Set Screw.....
68182	9903	Lifting Presser Bar Lifter.....
1872	8985	" " " " Roller and Stud
68351	20693	" " " Lifting Bracket with 462C and 1872.....
68183	9903	Lifting Presser Bar Lifting Lever.....
54197	9898	" " " " " Connect- ing Stud.....
462C	8958	Lifting Presser Bar Lifting Lever Con- necting Stud Set Screw.....
68184	9903	Lifting Presser Bar Lifting Lever Exten- sion (back).....
161C	8958	Lifting Presser Bar Lifting Lever Exten- sion (back) Screw.....
68185	9903	Lifting Presser Bar Lifting Lever Exten- sion (front).....
704C	8958	Lifting Presser Bar Lifting Lever Exten- sion (front) Screw.....

No.	Plate	Name
802D	8958	Lifting Presser Bar Lifting Lever Hinge Screw.....
38467	9902	Lifting Presser Bar Spring (flat).....
38468	9901	" " " " Stud.....
68196	9893	" " " " Foot, for 3/16 in. to 3/8 in. gauges.....
190D	8958	Lifting Presser Foot Screw.....
131425	20693	Looper (back) closed eye.....
Note: When ordering No. 131425, state gauge of machine for which it is required.		
1147C	9883	Looper (back) Set Screw.....
131426	20693	" (front) closed eye.....
Note: When ordering No. 131426, state gauge of machine for which it is required.		
1120C	8958	Looper (front) Set Screw.....
54027	9883	" Carrier with two 175E.....
175E	20693	" " Adjusting Screw.....
54227	9883	" " Connection.....
54228	9883	" " " Shaft.....
54229	9883	" " " " Bushing.
446C	8901	" " " " " " Set Screw.....
49013	8904	Looper Carrier Connection Shaft Oil Pad (braided cotton).....
54230	9883	Looper Carrier Driver with four 175E....
175E	8958	" " " Cap Screw.....
*54368	9897	" Driving Shaft and Feed Lifting Ec- centric with 227E and two 64315....
Note: When No. 54368 is required for repairs, the Arm Rotary Shaft must be returned to the factory to be adjusted to the new part.		
54383	-----	Looper Driving Shaft and Feed Lifting Eccentric 54368 with 54027, 54227, 54228 and 54230#.....
*54034	-----	Looper Driving Shaft and Feed Lifting Eccentric Bracket with 761E.....
54080	9897	Looper Driving Shaft and Feed Lifting Eccentric Bracket Bushing.....
761E	8901	Looper Driving Shaft and Feed Lifting Eccentric Bracket Bushing Set Screw.
948J	8958	Looper Driving Shaft and Feed Lifting Eccentric Bracket Screw.....
64315	9870	Looper Driving Shaft and Feed Lifting Eccentric Oil Hole Plug.....
227E	8958	Looper Driving Shaft and Feed Lifting Eccentric Oil Hole Plug Screw.....
40326	9900	Looper Driving Shaft and Feed Lifting Eccentric Oil Pad (braided cotton)..
640D	8958	Looper Driving Shaft and Feed Lifting Eccentric Screw.....

From the Illinois State Library

No.	Plate	Name
54061	9883	Looper Holder with 1120C and 1147C.....
704W	8958	" " Screw.....
64319	9897	Needle Bar (hollow).....
131045	20693	Needle Bar complete, for 3/16 in. to 3/8 in. gauges, Nos. 64319 and 131044...
Note: When ordering No. 131045, state gauge required.		
38456	9882	Needle Bar Bushing (lower).....
1133E	8958	" " " " Set Screw....
68187	9898	" " " (upper).....
1133E	8958	" " " " Set Screw....
54326	9882	" " Connecting Link.....
54329	-----	" " " " 54326 with 54327 and 54328.....
54327	9882	Needle Bar Connecting Link Hinge Stud...
152QJ	9901	" " " " " " " " Nut
54328	9882	" " " " Stud with 211F and two 187E.....
187E	8958	Needle Bar Connecting Stud Clamping Screw.....
131044	20693	Needle Clamp with two 1498F, for 3/16 in. to 3/8 in. gauges.....
Note: When ordering No. 131044, state gauge required.		
68197	9898	Needle Guard, for 3/16 in. to 3/8 in. gauges.....
68123	9897	Needle Guard Clamp.....
1498F	8958	" Set Screw.....
54108	-----	Oil Tube.....
54109	-----	" " Bracket.....
49092	9870	" " Packing (felt).....
54110	9870	Oil Tube complete, for oiling Crank Connecting Rod (upper bearing), Nos. 49092, 54108 and 54109.....
574W	8958	Pressure Regulating Thumb Screw.....
1539W	9901	" " " " " Lock Nut
54381	9870	Slack Thread Controller.....
54242	9870	" " " " Clamp.....
190D	8958	" " " " Screw.....
68198	9899	" " Regulator.....
54042	9870	" " " " Holder with 175E and two 50150C.....
175E	8958	Slack Thread Regulator Holder Clamping Screw.....
54043	9870	Slack Thread Regulator Holder Shaft.....
24292	9870	" " " " " " " " Collar with 1019C.....
1019C	8958	Slack Thread Regulator Holder Shaft Collar Set Screw.....
54044	9870	Slack Thread Regulator Holder Shaft Crank (forked) with 1253C.....
1253C	8958	Slack Thread Regulator Holder Shaft Crank Set Screw.....

No.	Plate	Name
50150C	3958	Slack Thread Regulator Set Screw.....
2102	8964	Tension (under thread) Disc.....
51570C	8964	" " " " Regulating Thumb Nut.....
50326C	8964	Tension (under thread) Screw Stud.....
59539	-----	" " " " " " 50326C with 51570C.....
59534	8964	Tension (under thread) Spring.....
59537	8964	" " " " " Bushing (large).....
59538	8964	Tension (under thread) Spring Bushing (small).....
17547	8964	Tension (under thread) Thread Guide....
54070	8996	" (upper thread) Bracket.....
376D	8958	" " " " " Screw....
2102	8964	" " " " Disc.....
51570C	8964	" " " " Regulating Thumb Nut.....
32572	8964	Tension (upper thread) Releasing Disc...
54988	8964	" " " " " Pin....
54071	9889	" " " " " Shaft..
54047	8964	" " " " " " Crank with 624C.....
54048	8964	Tension (upper thread) Releasing Shaft Crank Link.....
624C	8958	Tension (upper thread) Releasing Shaft Crank Set Screw.....
68261	9901	Tension (upper thread) Releasing Shaft Spring.....
316F	8958	Tension (upper thread) Releasing Shaft Stop Screw.....
1547J	9901	Tension (upper thread) Releasing Shaft Stop Screw Nut.....
50326C	8964	Tension (upper thread) Screw Stud.....
59539	-----	" " " " " " 50326C with 51570C.....
59535	8964	Tension (upper thread) Spring.....
59537	8964	" " " " " Bushing (large).....
59538	8964	Tension (upper thread) Spring Bushing (small).....
131696	20693	Tension (upper thread) Thread Guide (double).....
53225	9899	Thread (under) Eyelet (back).....
190D	8958	" " " " " Screw.....
54072	9898	" " " " (front).....
64351	9870	" " " " Nipper Cam with 465C....
465C	3058	" " " " " Set Screw....
33210	9870	" " " " " Spring (lower)....
38211	9870	" " " " " (upper)....



PARTS FOR MACHINE No. 147-37

No.	Plate	Name
46247	9870	Thread (under) Nipper Spring (upper) Stop.....
176D	8958	Thread (under) Nipper Spring Screw.....
68128	9900	" " Take-up with two 465C....
465C	8958	" " " Set Screw.....
54435	9899	" " " Staple with 590D and 38481.....
54049	9902	Thread (under) Take-up Staple Bracket with 460C.....
965D	9901	Thread (under) Take-up Staple Bracket Screw.....
46041	9899	Thread (under) Take-up Staple Spring....
190D	8958	" " " " Screw.....
38481	9899	Thread (under) Take-up Staple Thread Guard.....
590D	8958	Thread (under) Take-up Staple Thread Guard Screw.....
38482	9899	Thread (under) Take-up Stripper.....
207D	9901	" " " " Screw....
64355	9899	" " " Thread Guard (brass).....
64356	9399	Thread (under) Take-up Thread Guard Steady Pin.....
460C	9901	Thread (under) Take-up Thread Guard Steady Pin Set Screw.....
68129	9898	Thread (upper) Nipper Body.....
1149C	9901	" " " " Set Screw....
68130	9898	" " " Disc (inside)....
68131	9898	" " " " Washer (fibre).....
68132	9898	Thread (upper) Nipper Disc (outside)....
1698R	9898	" " " " " Nut
59456	9898	" " " " " Washer.....
68133	9898	Thread (upper) Nipper Roller.....
68134	9898	" " " " Hinge Pin..
68135	9898	" " " Stud.....
68136	----	" " " " 68135 with 68133 and 68134.....
13218	9898	Thread (upper) Nipper Stud Spring.....
68137	----	Thread (upper) Nipper complete, Nos. 1698R, 13218, 59456, 68129 to 68132 and 68136.....
68138	9898	Thread (upper) Nipper Thread Guide.....
207D	9901	" " " " " Screw
54075	9899	" " Take-up.....
211F	8958	" " " Set Screw.....
68198	9893	Throat Plate, for 5/16 in. to 3/8 in. gauges, for 68194.....
742F	9901	Throat Plate Screw.....
*15404	----	Trade Mark.....
15405	----	" " Rivet.....

FITTINGS FOR 147-6 MACHINE

FOR PLAIN STITCHING

No.	Plate	Name
68120	9891	Feed Dog, 15 teeth (10 teeth to the inch) for 68139.....
68180	9891	Feeding Foot.....
68196	9891	Lifting Presser Foot.....
68139	9891	Throat Plate for 68120.....

FOR WELTING

68120	9892	Feed Dog, 15 teeth (10 teeth to the inch) for 68139.....
68228	9892	Feeding Foot, to feed on the welt.....
68230	9892	" " " to feed on right hand side of the welt.....
68229	9892	Lifting Presser Foot.....
68139	9892	Throat Plate for 68120.....

FITTINGS FOR 147-37 MACHINE

FOR PLAIN STITCHING

No.	Plate	Name
68194	9893	Feed Dog, 14 teeth (10 teeth to the inch) for 68198.....
68195	9893	Feeding Foot, 20 teeth (16 teeth to the inch) for 3/16 in. to 3/8 in. gauges
68196	9893	Lifting Presser Foot, for 3/16 in. to 3/8 in. gauges.....
68198	9893	Throat Plate, for 5/16 in. to 3/8 in. gauges, for 68194.....

FOR STAYING SEAMS

68241	9894	Feed Dog, 16 teeth (12 teeth to the inch) for 68243.....
68195	9894	Feeding Foot, 20 teeth (16 teeth to the inch) for 3/16 in. to 3/8 in. gauges
68242	9894	Lifting Presser Foot, for 1/4 in. to 3/8 in. gauges.....
68243	9894	Throat Plate, for 1/4 in. to 5/16 in. gauges for 68241.....

Library of: Diamond Needle Co.

## ACCESSORIES

No.	Plate	Name
120344	8941	Oiler (copper plated) with 120345.....
120345	8941	" Spout, 5 in. long.....
26026	8941	Screw Driver (large).....
26485	8941	" " (small).....
120440	-----	" Driver.....
38487	8941	Threading Wire.....
120341	8941	Tweezers (curved).....
8908	8941	Wrench for 1520.....
19221	8941	" " 1516.....
4822	8941	" " 1547.....

ATTACHMENT FOR BINDING AND  
FRINGING EDGES OF RUGS  
FOR 147-37 MACHINE

No.	Plate	Name
120765	9905	Binder on Shank.....
120766	9905	Edge Guide.....
1443W	9901	" " Screw.....
120767	9905	Fringe Guide.....
1443J	9901	" " Screw.....
120768	-----	Leveling Plate.....
96B	9901	" " Hinge Screw.....
36006	9901	" " " " Friction Washer.....
120769	9905	Tape Guide.....
50004B	9901	" " Screw.....
3146	9901	" " Washer.....
120770	9905	Attachment complete, for binding and fringing edges of rugs in one operation, Nos. 96B, 36006, 120765 to 120769, two each 3146, 50004B and four 1443J.....
1443J	9901	Attachment Screw.....
68194	9893	Feed Dog, 14 teeth (10 teeth to the inch) for 68198.....
68195	9893	Feeding Foot, 20 teeth (16 teeth to the inch) for 3/16 in. to 3/8 in. gauges.....
68196	9893	Lifting Presser Foot, for 3/16 in. to 3/8 in. gauges.....
68198	9893	Throat Plate, for 5/16 in. to 3/8 in. gauges, for 68194.....

ATTACHMENT FOR FRINGING AND  
TAPING EDGES OF RUGS  
FOR 147-37 MACHINE

No.	Plate	Name
120744	9905	Fringe Guide with Nap Guide on Bracket..
1443J	9901	" " Screw.....
120745	9905	Leveling Plate.....
120746	-----	Rug Guide.....
1443J	9901	" " Screw.....
120747	9905	Tape Guide on Shank.....
96B	9901	" " Hinge Screw.....
36006	9901	" " " " Friction Washer..
120748	9905	Attachment complete, for fringing and taping edges of rugs in one operation, Nos. 96B, 36006, 120744 to 120747 and four 1443J.....
1443J	9901	Attachment Screw.....
68194	9893	Feed Dog, 14 teeth (10 teeth to the inch) for 68198.....
131680	20693	Feeding Foot, 20 teeth (16 teeth to the inch) for 3/16 in. 3/8 in. gauges...
131681	20693	Lifting Presser Foot, for 3/16 in. to 3/8 in. gauges.....
68198	9893	Throat Plate, for 5/16 in. to 3/8 in. gauges, for 68194.....

## BELT GUARD

No.	Plate	Name
68222	9879	Belt Guard with two wood screws 1 in. No. 12.....

## BENCH STAND

No.	Plate	Name
79611	-----	Bench Stand with 5604, 9370, two 41538, three wood screws 1 1/4 in. No. 14, four 60656 and sixteen wood screws 5/8 in. No. 7.....
41538	-----	Flush Bolt with Plate complete, Nos. 126247, 126248 and four brass wood screws 5/8 in. No. 4.....

## BENCH STAND

No.	Plate	Name
126247	8952	Flush Bolt.....
126248	8952	" " Plate.....
60656	8952	Hinge.....
9370	8952	Slide Spring.....
5604	8952	" " Pin.....

## GUIDE

No.	Plate	Name
25618	9900	Guide.....
286D	8904	" Thumb Screw.....

## FOOT LIFTER PARTS

No.	Plate	Name
6439	-----	Chain, 36 in. to 45 in., with 56864 and 56865.....
Note: When ordering No. 6439, state length required.		
4879	8941	Chain Connecting Link.....
56864	8941	" Hook (large).....
56865	8985	" " (small).....
126249	9904	Treadle.....
4882	8941	" Shaft.....
126250	8941	" Spring.....
150451	20633	" Stand.....
150452	20633	Treadle complete, Nos. 4882, 126249, 126250, 150451 and two wood screws 1 in. No. 16 F.H.....

## KNEE LIFTER PARTS

No.	Plate	Name
37563	-----	Chain, length 15 in., with 56864 and 56865.....
56864	8941	Chain Hook (large).....
56865	8985	" " (small).....
2763	8903	Rock Shaft.....
12242	8903	" " Hanger with two wood screws 1 in. No. 10.....
6335	8903	Rock Shaft Knee Arm.....
6336	-----	Rock Shaft Knee Arm complete, Nos. 2766, 2767 and 6335.....

## KNEE LIFTER PARTS

No.	Plate	Name
2766	8903	Rock Shaft Knee Arm Hub with 356C.....
356C	8985	" " " " Set Screw.....
2767	8903	" " " Plate with 356C.....
356C	8985	" " " " Set Screw.....
6337	8903	" " Lifting Bracket with two 356C
7125	8903	" " " " Hook.....
356C	8985	" " " " " Set Screw....
356C	8985	" " " " " Set Screw....
2770	8903	" " Stop Dog with 356C.....
356C	8985	" " " " " Set Screw.....
23767	8903	Rock Shaft complete, Nos. 2763, 2770, 6336, 6337, 7125 and two 12242.....

## MACHINE BASE

No.	Plate	Name
131340	20638	Machine Base.....
131019	20638	" " Oil Pipe.....
131020	20638	" " " " Valve.....
54477	20638	" " Screw Stud.....
51576E	20638	" " " " Nut.....
9842	20638	" " " " Washer.....
131279	20638	" Cushion (felt).....
948E	20638	" Screw, to fasten machine to base
131320	20638	Machine Base complete, Nos. 131019, 131020, 131340, three each 9842, 51576E, 54477 and four each 948E and 131279.....

## MACHINE BASE OIL DRAIN JAR

(SWINGING TYPE)

No.	Plate	Name
131185	20639	Jar (glass).....
131191	20639	" Cap.....
131188	20639	" Clamp.....
131217	-----	" " 131188 with 131189.....
131189	20639	" " Lever.....
1247C	20639	" " " Hinge Screw.....
131265	20639	Nipple (long).....
131266	20639	" (short).....
131267	20639	" Elbow.....

From the library of Diarrhid Nestle Corp

No.	Plate	Name
131268	20639	Machine Base Oil Drain Jar (swinging type) complete, Nos. 131185, 131191, 131217, 131266 and two each 1247C, 131265 and 131267.....
131327	20639	Machine Base with Oil Drain Jar (swinging type) complete, Nos. 131268, 131340, three each 9842,51576E,54477 and four each 948E and 131279.....

## TAPE HOLDER

(10 INCH DISC)

FOR RUG ATTACHMENT No. 120770

No.	Plate	Name
35908	----	Disc.....
35909	6479	" 35908 with 35910 and five 4604....
35910	6479	" Hub.....
4604	6480	" Rivet.....
35911	6480	Shaft.....
35912	6480	" Bushing with 35913.....
35913	6480	" " Guide.....
793D	6480	" " Thumb Screw.....
35914	6480	Spindle.....
35915	6479	Stand.....
35916	6480	Tension Spring.....
288D	6480	" " Thumb Screw.....
35917	----	Tape Holder (10 in. disc) complete, Nos. 288D, 793D, 35909, 35911, 35912, 35914 to 35916 and three wood screws 1 in. No. 10.....

## TAPE REEL

(9 INCH DISC)

FOR UNDER THE BENCH

FOR RUG ATTACHMENT No. 120748

No.	Plate	Name
*120671	----	Tape Reel Disc.....
120672	9867	" " " 120671 with 120673.....
*120673	----	" " " Hub.....
120674	9867	" " Rod.....
28012	9901	" " Screw Eye.....
120680	----	Tape Reel (9 in. disc) complete, Nos. 28012, 120672 and 120674.....

## THREAD UNWINDER FOR TWO SPOOLS FOR 147-5 AND 147-6 MACHINE

No.	Plate	Name
225257	22248	Spool Rest with 201018C.....
150203	22248	" " Cushion (felt).....
225388	22248	" " Rod.....
200383C	22248	" " Set Screw.....
201018C	22248	" " Set Screw.....
202490	22248	" Stand with 200383C.....
225391	22248	Thread Guide.....
201696J	22248	" " Lock Nut.....
225326	22248	" " Position Cup.....
225324	22248	" " Rod with 208E and 225322...
208E	22248	" " " Screw.....
225322	22248	" " " Washer.....
225258	22248	Thread Unwinder complete, Nos. 201696J, 202490, 225257, 225324, 225326, 225388, two each 150203, 225391 and three wood screws 7/8 in. No. 12.....
27739	22248	Thread Cone (wood) for large cones.....
225390	22248	" " Holder for inverted cones...

Note: Nos. 27739 and 225390 are used with, but not included in 225258.

## THREAD UNWINDER FOR FOUR SPOOLS FOR 147-37 MACHINE

No.	Plate	Name
225257	20694	Spool Rest with 201018C.....
150203	20694	" " Cushion (felt).....
225388	20694	" " Rod.....
200383C	20694	" " " Set Screw.....
201018C	20694	" " Set Screw.....
202490	20694	" Stand with 200383C.....
225391	20694	Thread Guide.....
201696J	20694	" " Lock Nut.....
225326	20694	" " Position Cup.....
225324	20694	" " Rod with 208E and 225322...
208E	20694	" " " Screw.....
225322	20694	" " " Washer.....

No.	Plate	Name
259144	20694	Thread Unwinder complete, Nos. 201696J, 202490, 225324, 225326, 225388, two 225257, four each 150203, 225391 and three wood screws 7/8 in. No. 12....
27739	20694	Thread Cone (wood) for large cones.....
225390	20694	" " Holder for inverted cones...

Note: Nos. 27739 and 225390 are used with, but not included in 225258.

**Genuine Singer Needles should be used in Singer Machines. These Needles and their Containers are marked with the Company's Trade Mark "SIMANCO." 1**

**Needles in Containers marked "For Singer Machines" are not Singer made needles. 2**

## OBSOLETE PARTS

No.	Plate	Name
54005	8901	Arm Rock Shaft Crank (back) with two 50083C.....
54008	8901	Arm Rotary Shaft Collar with three 1259C, for 68111 and 68212, use 54450.....
	1259C	8958 Arm Rotary Shaft Collar Set Screw for 54008.....
	430C	8904 Balance Wheel Set Screw for 54210.....
54088	-----	Crank Connecting Rod 54017 with 50069C, use 131344.....
50069C	8904	Crank Connecting Rod Ball Screw Stud for 54088.....
	1516J	8904 Crank Connecting Rod Ball Screw Stud Nut
64268	8904	" " " " " " " Washer.....
54897	8904	Crank Connecting Rod Oil Cup, use 68350.
54149	9895	Feed (upper) Lifting Regulator with 50200C, use 131711.....
50200C	8958	Feed (upper) Lifting Regulator Set Screw for 54149.....
68204	9895	Feed (upper) Lifting Regulator Shaft for 147-6 and 147-37 Machines.....
50200C	8958	Feed (upper) Lifting Regulator Shaft Crank Set Screw for 54152.....
68205	9896	Lifting Presser Bar Lifting Bracket with 462C and 1872 for 147-6 and 147-37 Machines, use 68351.....
54106	9883	Looper (back) closed eye, for 147-37 Machine, superseded by 131425, not interchangeable.....
54107	9883	Looper (front) closed eye, for 147-37, superseded by 131426, not interchangeable.....
	171D	8958 Looper Carrier Adjusting Screw for 54027
68223	9879	Machine Base.....
51072E	9901	" " Bolt with 51581E.....
51581E	9901	" " " Nut.....
	6055	9900 " " " Washer.....
49123	8996	" " Oil Pipe.....
60884	8985	" " " Plug.....
57285	8996	" Cushion (felt).....
68224	-----	Machine Base complete, Nos. 49123, 60884, 68223, three each 6055, 51072E and four each 948E and 57285, use 131320
54062	-----	Needle Bar complete for 3/16 in. to 1/4 in. gauges, for 147-37 Machine, Nos. 54064, 54065 and 64319, use 131045..

## OBSOLETE PARTS

No.	Plate	Name
54063	-----	Needle Bar complete for 9/32 in. to 3/8 in. gauges, for 147-37 Machine, Nos. 54064, 54066 and 64319, use 131045..
54064	9897	Needle Clamp with two 1498F, for 147-37 Machine, use 131044.....
54065	9897	Needle Clamp Thread Guard, for 3/16 in. to 1/4 in. gauges, for 54062.....
54066	9897	Needle Clamp Thread Guard for 9/32 in. to 3/8 in. gauges, for 54063.....
54040	9903	Presser Bar Spring (flat) use 38467.....
225395	9953	Spool Rest with 201018C.....
57076	8964	Tension (upper thread) Thread Guide (double) obsolete, use 131696.....
225392	8953	Thread Guide Rod with 208E and 225393...
225393	9901	" " " Washer.....
225396	7233	Thread Unwinder complete, for two spools, for 147-5 and 147-6 Machines, Nos. 201696J, 202490, 225388, 225392, 225395, two 225391 and three wood screws 7/8 in. No. 12, use 225258.....
225398	8953	Thread Unwinder complete, for four spools, for 147-37 Machine, Nos. 201696J, 202490, 225388, 225392, two 225395, four 225391 and three wood screws 7/8 in. No. 12, use 259144...
126252	9904	Treadle complete, Nos. 4882, 126249 to 126251 and two wood screws 1 in. No. 16 F.H., use 150452.....
126251	9904	Treadle Stand, use 150451.....

**Genuine Singer Needles should be used  
in Singer Machines.  
These Needles and their Containers  
are marked with the  
Company's Trade Mark "SIMANCO." 1**

**Needles in Containers marked  
"For Singer Machines"  
are not Singer made needles. 2**

## NUMERICAL LIST OF PARTS

## NUMERICAL LIST OF PARTS

No.	Plate	Name
41F	9896	Feed (upper) Rock Shaft Pitman Hinge Screw for 68225.....
96B	9901	Attachment Leveling Plate Hinge Screw for 120770.....
96B	9901	Attachment Tape Guide Hinge Screw for 120748.....
129E	9901	Feed (upper) Regulator Bracket Screw for 147-6 and 147-37 Machines.....
142D	9901	Face Plate Screw for 147-6 and 147-37 Machines.....
144D	8901	Arm Rotary Shaft Screw.....
159F	8901	" " " Flanged Bushing Screw..
161C	8958	Lifting Presser Bar Lifting Lever Exten- sion (back) Screw for 147-6 and 147-37 Machines.....
161D	8958	Presser Bar Lifting Lever Extension Screw for 147-5 Machine.....
171D	8958	Looper Carrier Adjusting Screw for 54027, obsolete.....
172E	9901	Feed (upper) Rock Shaft Crank (front) Clamping Screw for 68178.....
175E	20693	Looper Carrier Adjusting Screw for 54027
175E	8958	" " Driver Cap Screw for 54230
175E	8958	Slack Thread Regulator Holder Clamping Screw for 54042.....
176D	8958	Thread (under) Nipper Spring Screw.....
187E	8958	Needle Bar Connecting Stud Clamping Screw for 54328.....
190D	8958	Lifting Presser Foot Screw for 147-6 and 147-37 Machines.....
190D	8958	Presser Foot Screw for 147-5 Machine....
190D	8958	Slack Thread Controller Clamp Screw.....
190D	8958	Thread (under) Eyelet (back) Screw.....
190D	8958	" " Take-up Staple Spring Screw
203D	9901	Feeding Foot Screw for 147-6 and 147-37 Machines.....
207D	9901	Thread (under) Take-up Stripper Screw...
207D	9901	" (upper) Nipper Thread Guide Screw
208E	8985	" Unwinder Thread Guide Rod Screw for 225324 and 225392.....
211F	8958	Thread (upper) Take-up Set Screw for 54328.....
217D	8904	Feed Eccentric Clamping Washer Screw for 54025.....
227E	8958	Looper Driving Shaft and Feed Lifting Eccentric Oil Hole Plug Screw for 54368.....

No.	Plate	Name
286D	8904	Arm Side Cover (back) Thumb Screw for 147-5 and 147-37 Machines.....
286D	8904	Arm Side Cover (front) Thumb Screw.....
286D	8904	Face Plate Thumb Screw for 147-5 Machine
286D	8904	Guide Thumb Screw.....
288D	6480	Tape Holder Tension Spring Thumb Screw for 35917.....
316F	8958	Tension (upper thread) Releasing Shaft Stop Screw.....
356C	8985	Rock Shaft Knee Arm Hub Set Screw for 2766.....
356C	8985	Rock Shaft Knee Plate Set Screw for 2767
356C	8985	" " Lifting Bracket Hook Set Screw for 6337.....
356C	8985	Rock Shaft Lifting Bracket Set Screw for 6337.....
356C	8985	Rock Shaft Stop Dog Set Screw for 2770..
376D	8958	Tension (upper thread) Bracket Screw....
422C	8901	Arm Rotary Shaft Bushing (intermediate) Set Screw (long).....
423C	8901	Arm Rock Shaft Bushing (intermediate) Set Screw.....
423C	8901	Arm Rotary Shaft Bushing (intermediate) Set Screw (small).....
430C	8904	Balance Wheel Set Screw for 54210 and 64259, obsolete.....
446C	8901	Arm Rock Shaft Bushing (back) Set Screw.
446C	8901	Looper Carrier Connection Shaft Bushing Set Screw.....
447C	8958	Lifting Presser Bar Guide Bracket (lower) Guide Set Screw for 147-6 and 147-37 Machines.....
447C	8958	Presser Bar Guide Bracket Guide Set Screw for 147-5 Machine.....
447C	8958	Presser Bar Lifter Hinge Pin Set Screw for 147-5 Machine.....
448C	8958	Arm Rock Shaft Crank (front) Set Screw for 54132.....
453C	8901	Arm Rock Shaft Collar Set Screw for 54004.....
453C	8901	Arm Rock Shaft Crank (front) Set Screw for 64255.....
453C	8901	Arm Rock Shaft Flanged Bushing (front) Set Screw.....
453C	8901	Presser Bar Guide Bracket Set Screw for 54039.....
453C	8901	Feed Bar Hinge Pin Set Screw for 54488..
453C	8901	" Rocking Frame Hinge Pin Bushing Set Screw for 147-5 Machine.....
453C	8901	Feed Rocking Frame Hinge Pin Set Screw for 54026.....

No.	Plate	Name
453C	8901	Feed (lower) Rocking Frame Hinge Pin Bushing Set Screw for 147-6 and 147-37 Machines.....
453C	8901	Lifting Presser Bar Guide Bracket (lower) Set Screw for 54039.....
453C	8901	Feed (lower) Rocking Frame Hinge Pin Set Screw for 54026.....
453C	8901	Feed (lower) Bar Hinge Pin Set Screw for 54488.....
453C	8901	Feed (upper) Connection Pin Set Screw for 54132.....
457C	8904	Feed Connecting Rod Hinge Pin Collar Set Screw for 21506.....
460C	9901	Presser Bar Lifting Lever Connecting Stud Set Screw for 61047.....
460C	9901	Thread (under) Take-up Thread Guard Steady Pin Set Screw for 54049.....
462C	8958	Lifting Presser Bar Lifting Lever Connecting Stud Set Screw for 68205 and 68351.....
465C	8958	Feed (upper) Rock Shaft Collar Set Screw for 54369.....
465C	8958	Thread (under) Nipper Cam Set Screw for 64351.....
465C	8958	Thread (under) Take-up Set Screw for 68128.....
574W	8958	Pressure Regulating Thumb Screw.....
590J	20693	Looper Thread Guard Screw for 131296....
590D	8958	Thread (under) Take-up Staple Thread Guard Screw for 38478 and 54435.....
624C	8958	Tension (upper thread) Releasing Shaft Crank Set Screw for 54047.....
640E	8958	Looper Driving Shaft and Feed Lifting Eccentric Screw for 68111 and 68212.
640J	8958	Lifting Presser Bar Guide Bracket (lower) Adjusting Screw for 54039.....
640J	8958	Presser Bar Guide Bracket Adjusting Screw for 54039.....
704C	8958	Lifting Presser Bar Lifting Lever Extension (front) Screw for 147-6 and 147-37 Machines.....
704W	8958	Looper Holder Screw.....
725J	8904	Cloth Plate Slide (left) Spring Screw for 54013.....
725J	8904	Cloth Plate Slide (right) Spring Screw for 54058 and 68192.....
742F	9901	Throat Plate Screw.....
761E	8901	Arm Rotary Shaft Bushing Front Set Screw
761E	8901	Looper Driving Shaft and Feed Lifting Eccentric Bracket Bushing Set Screw for 54034.....



No.	Plate	Name
793D	9901	Arm Side Cover (back) Thumb Screw for 147-6 Machine.....
793D	6480	Tape Holder Shaft Bushing Thumb Screw for 35917.....
802D	8958	Lifting Presser Bar Lifting Lever Hinge Screw for 147-6 and 147-37 Machines.
802D	8958	Presser Bar Lifting Lever Hinge Screw for 147-5 Machine.....
857C	8958	Needle Set Screw for 54036.....
86E	8904	Crank Connecting Rod Cap (lower) Screw for 54017.....
896E	8904	Feed Connecting Rod Cap Screw for 54111.
896E	8904	Feed (upper) Connecting Rod Cap Screw for 54111.....
948J	8958	Looper Driving Shaft and Feed Lifting Eccentric Bracket Screw for 68117 and 68168.....
948E	20638	Machine Screw, to fasten machine to base, for 131320 and 131327.....
965D	9901	Thread (under) Take-up Staple Bracket Screw.....
1011F	8904	Cloth Plate Screw (left).....
1019C	8958	Slack Thread Regulator Holder Shaft Collar Set Screw for 24292.....
1036C	8958	Feed (upper) Eccentric Set Screw for 68176.....
1057E	8904	Crank Connecting Rod Cap (upper) Screw for 54017.....
1057E	8904	Feed Connecting Rod Clamping Screw for 54111.....
1057E	8904	Feed (upper) Connecting Rod Clamping Screw for 54111.....
1103C	8904	Feed Regulating Screw for 54025.....
1120C	8958	Looper (front) Set Screw for 54061.....
1120C	8958	" Set Screw for 54035.....
1133E	8958	Lifting Presser Bar Bushing (lower) Set Screw for 147-6 and 147-37 Machines.
1133E	8958	Lifting Presser Bar Bushing (upper) Set Screw for 147-6 and 147-37 Machines.
1133E	8958	Needle Bar Bushing (lower) Set Screw....
1133E	8958	" " " (upper) Set Screw....
1133E	8958	Presser Bar Bushing (lower) Set Screw for 147-5 Machine.....
1133E	8958	Presser Bar Bushing (upper) Set Screw for 147-5 Machine.....
1147C	9883	Looper (back) Set Screw for 54061.....
1149C	9901	Thread (upper) Nipper Body Set Screw....
1194C	9901	Feed (upper) Lifting Regulating Screw for 68215.....
1235F	8904	Cloth Plate Thread Guard Screw.....

No.	Plate	Name
1239F	9895	Feed (upper) Bar Cap Screw for 68215....
1239F	9895	" " Bell Crank Cap Screw for 68215.....
1239F	9895	Feed (upper) Lifting Regulator Connecting Link Cap Screw for 68215.....
1247C	20639	Machine Base Oil Drain Jar Clamp Lever Hinge Screw for 131268.....
1250C	9901	Presser Bar Lifter Stop Screw for 147-5 Machine.....
1253C	8958	Slack Thread Regulator Holder Shaft Crank Set Screw for 54044.....
1258C	20693	Arm Rotary Shaft Collar Set Screw for 54450.....
1259C	8958	Arm Rotary Shaft Collar Set Screw for 54008, obsolete.....
1259C	8958	Feed (upper) Regulator Crank Set Screw for 68052.....
1283C	9895	Feed (upper) Bar Connecting Link Hinge Screw for 68215.....
1443J	9901	Attachment Edge Guide Screw for 120770..
1443J	9901	" Fringe Guide Screw for 120748 and 120770.....
1443J	9901	Attachment Rug Guide Screw for 120748..
1443J	9901	" Screw for 120748 and 120770..
1498F	8958	Needle Set Screw for 54064 and 131044...
1516J	8904	Crank Connecting Rod Ball Screw Stud Nut, obsolete.....
1520J	9901	Feed (upper) Rock Shaft Pitman Hinge Screw Nut for 68225.....
1520J	9901	Needle Bar Connecting Link Hinge Stud Nut.....
1539W	9901	Pressure Regulating Thumb Screw Lock Nut
1547J	9901	Tension (upper thread) Releasing Shaft Stop Screw Nut.....
1698R	9898	Thread (upper) Nipper Disc (outside) Nut for 68137.....
1708J	9895	Feed (upper) Bar Connecting Link Hinge Screw Nut for 68215.....
1749C	9895	Feed (upper) Lifting Regulating Screw Nut for 68215.....
1872	8985	Lifting Presser Bar Lifter Roller and Stud for 68205 and 68351.....
1872	8985	Presser Bar Lifter Roller and Stud, for 61047.....
1963	8985	Lifting Presser Bar Guide Bracket (lower) Roller and Stud for 54039.....
1963	8985	Presser Bar Guide Bracket Roller and Stud for 54039.....
2102	8964	Tension (under thread) Disc.....
2102	8964	" (upper thread) Disc.....

No.	Plate	Name
2117	8901	Arm Rock Shaft Crank (front) Pin.....
2763	8903	Rock Shaft for 23767.....
2766	8903	" " Knee Arm Hub with 356C, for 6336.....
2767	8903	Rock Shaft Knee Plate with 356C, for 6336.....
2770	8903	Rock Shaft Stop Dog with 356C, for 23767
3146	9901	Attachment Tape Guide Screw Washer for 120770.....
4604	6480	Tape Holder Disc Rivet for 35909.....
4822	8941	Wrench for 1547 (Accessories).....
4879	8941	Chain Connecting Link.....
4882	8941	Treadle Shaft for 126252 and 150452.....
5604	8952	Bench Stand Slide Spring Pin for 79611..
6055	9900	Machine Base Bolt Nut Washer for 68224, obsolete.....
6335	8903	Rock Shaft Knee Arm for 6336.....
6336	-----	Rock Shaft Knee Arm complete for 23767, Nos. 2766, 2767 and 6335.....
6337	8903	Rock Shaft Lifting Bracket with two 356C, for 23767.....
6439	-----	Chain, 36 in. to 45 in., with 56864 and 56865.....
6575	8904	Crank Connecting Rod Oil Cup Oil Pad Stop Pin for 54017.....
7071	8904	Feed Eccentric Clamping Washer for 54025
7125	8903	Rock Shaft Lifting Bracket Hook for 23767.....
8908	8941	Wrench for 1520 (Accessories).....
9370	8952	Bench Stand Slide Spring for 79611.....
9525	9895	Feed (upper) Lifting Regulating Screw Nut Washer for 68215.....
9842	20638	Machine Base Screw Stud Nut Washer for 131320 and 131327.....
11119	8901	Arm Oil Tube with 52045, for oiling 68137.....
11173	8985	Lifting Presser Bar Guide Bracket (low- er) Guide for 147-6 and 147-37 Ma- chines.....
11173	8985	Presser Bar Guide Bracket Guide for 147-5 Machine.....
12242	8903	Rock Shaft Hanger with two wood screws 1 in. No. 10, for 23767.....
12486	9900	Tension (upper thread) Oil Cup Packing (felt) for 68190.....
13218	9898	Thread (upper) Nipper Stud Spring for 68137.....
14017	9896	Feed (upper) Regulating Screw Stud Nut Washer for 68225.....
15196	8902	Arm Side Cover (back).....

No.	Plate	Name
*15404	-----	Trade Mark for 68117 and 68168.....
15405	-----	" " Rivet for 68117 and 68168....
17547	8964	Tension (under thread) Thread Guide....
19221	8941	Wrench for 1516 (Accessories).....
21506	8904	Feed Connecting Rod Hinge Pin Collar with 457C, for 68022.....
23767	8903	Rock Shaft complete, Nos. 2763, 2770, 6336, 6337, 7125 and two 12242.....
23866	9896	Feed (upper) Regulator Crank Hinge Stud (eccentric) for 147-6 and 147-37 Ma- chines.....
24292	9870	Slack Thread Regulator Holder Shaft Collar with 1019C.....
24479	9895	Feed (upper) Connection Slide Bar for 147-6 and 147-37 Machines.....
25303	9899	Lifting Presser Bar Ball, size 1/4 in., for 57255.....
25303	9899	Presser Bar Ball, size 1/4 in., for 64330.....
25618	9900	Guide.....
26026	8941	Screw Driver (large) Accessories.....
26276	9898	Presser Foot Hinge Pin for 68125.....
26485	8941	Screw Driver (small) Accessories.....
27739	8996	Thread Unwinder Thread Cone (wood) for large cones, for 225258, 225396 and 225398.....
28012	9901	Tape Reel Screw Eye for 120680.....
32572	8964	Tension (upper thread) Releasing Disc...
35908	-----	Tape Holder Disc for 35909.....
35909	6479	" " " 35908 with 35910 and five 4604, for 35917.....
35910	6479	Tape Holder Disc Hub for 35909.....
35911	6480	" " Shaft for 35917.....
35912	6480	" " " Bushing with 35913, for 35917.....
35913	6480	Tape Holder Shaft Bushing Guide for 35912.....
35914	6480	Tape Holder Spindle for 35917.....
35915	6479	" " Stand for 35917.....
35916	6480	" " Tension Spring for 35917....
35917	-----	Tape Holder (10 in. disc) complete, for Rug Attachment No. 120770, Nos. 288D, 793D, 35909, 35911, 35912, 35914 to 35916 and three wood screws 1 in. No. 10.....
36006	9901	Attachment Leveling Plate Hinge Screw Friction Washer for 120770.....
36006	9901	Attachment Tape Guide Hinge Screw Fric- tion Washer for 120748.....
37563	-----	Chain, length 15 in., with 56864 and 56865.....

## NUMERICAL LIST OF PARTS

No.	Plate	Name
38210	9870	Thread (under) Nipper Spring (lower)....
38211	9870	" " " " (upper) . .
38284	9898	" " Eyelet (front) for 147-5 and 147-6 Machines.....
38393	20693	Looper Thread Guard for 131296.....
38419	8904	Cloth Plate Slide (left) Spring for 54013.....
38419	8904	Cloth Plate Slide (right) Spring for 54058 and 68192.....
38456	9882	Lifting Presser Bar Bushing (upper) for 147-6 and 147-37 Machines.....
38456	9882	Needle Bar Bushing (lower).....
38456	9882	Presser Bar Bushing (upper) for 147-5 Machine.....
38467	9902	Lifting Presser Bar Spring (flat).....
38468	9901	" " " " Stud for 147-6 and 147-37 Machines.....
38468	9901	Presser Bar Spring Stud for 147-5 Ma- chine.....
38478	9899	Thread (under) Take-up Staple with two each 590D and 38481, for 147-5 and 147-6 Machines.....
38481	9899	Thread (under) Take-up Staple Thread Guard for 38478 and 54435.....
38482	9899	Thread (under) Take-up Stripper.....
38487	8941	Threading Wire (Accessories).....
40217	9900	Arm Oil Tube with 52045, for oiling 54147, for 147-6 and 147-37 Machines
40326	9900	Looper Driving Shaft and Feed Lifting Eccentric Oil Pad (braided cotton)..
41538	-----	Bench Stand Flush Bolt with Plate com- plete for 79611, Nos. 126247, 126248 and four brass wood screws 5/8 in. No. 4.....
42366	8901	Arm Oil Pad (braided cotton) for oiling Arm Rock Shaft Front Bearing.....
44224	9900	Tension (upper thread) Oil Cup Thread Retainer for 68190.....
46041	9899	Thread (under) Take-up Staple Spring....
46099	-----	Presser Foot Shank for 68125.....
46111	9901	Face Plate Pin for 147-5 Machine.....
46247	9870	Thread (under) Nipper Spring (upper) Stop.....
46338	9898	Lifting Presser Bar Bushing (lower) for 147-6 and 147-37 Machines.....
49013	8904	Arm Rotary Shaft Front Bearing Oil Pad (braided cotton).....
49013	8904	Looper Carrier Connection Shaft Oil Pad (braided cotton).....
49092	9870	Cloth Plate Oil Tube Packing (felt) for 68030.....

## NUMERICAL LIST OF PARTS

No.	Plate	Name
49092	9870	Oil Tube Packing (felt) for 54110.....
49123	8996	Machine Base Oil Pipe for 68224, obso- lete.....
50004B	9901	Attachment Tape Guide Screw for 120770..
50069C	8904	Crank Connecting Rod Ball Screw Stud for 54088, obsolete.....
50073J	9901	Feed Dog Screw.....
50083C	8901	Arm Rock Shaft Crank (back) Set Screw for 131072.....
50084C	8901	Arm Rotary Shaft Bushing (intermediate) Set Screw (short).....
50150C	8958	Slack Thread Regulator Set Screw for 54042.....
50200C	8958	Feed (upper) Bar Connecting Bracket Set Screw for 68173.....
50200C	8958	Feed (upper) Connection Slide Bar Set Screw for 147-6 and 147-37 Machines.
50200C	8958	Feed (upper) Lifting Regulator Set Screw for 54149, obsolete.....
50200C	8958	Feed (upper) Lifting Regulator Shaft Crank Set Screw for 54152, obsolete.
50200C	8958	Feed (upper) Rock Shaft Crank (back) Set Screw for 128690.....
50200C	8958	Lifting Presser Bar Guide Bracket (up- per) Set Screw for 68181.....
50326C	8964	Tension (under thread) Screw Stud for 59539.....
50326C	8964	Tension (upper thread) Screw Stud for 59539.....
50429C	8904	Feed Dog Stop Screw for 54488.....
50473F	8904	Cloth Plate Screw (right).....
50950C	9896	Feed (upper) Regulating Screw Stud for 68225.....
51061C	8958	Feed Eccentric Body Set Screw for 54025.
51072E	9901	Machine Base Bolt with 51581E, for 68224, obsolete.....
51283C	20693	Balance Wheel Set Screw for 54210 and 64259.....
51570C	8964	Tension (under thread) Regulating Thumb Nut for 59539.....
51570C	8964	Tension (upper thread) Regulating Thumb Nut for 59539.....
51576E	20638	Machine Base Screw Stud Nut for 131320 and 131327.....
51581E	9901	Machine Base Bolt Nut for 51072, obsolete
51584C	9896	Feed (upper) Regulating Screw Stud Nut for 68225.....
52045	8901	Arm Oil Tube Packing (braided cotton) for 11119, 40217 and 56003.....
52045	8901	Arm Rock Shaft Bushing Oil Pad (braided cotton).....

## NUMERICAL LIST OF PARTS

No.	Plate	Name
52045	8901	Arm Rock Shaft Flanged Bushing (front) Oil Pad (braided cotton).....
53225	9899	Thread (under) Eyelet (back) for 147-5 and 147-37 Machines.....
54004	8901	Arm Rock Shaft Collar with two 453C, for 68119 and 68214.....
54005	8901	Arm Rock Shaft Crank (back) with two 50083C, for 68119 and 68214, obso- lete.....
54007	8902	Arm Rotary Shaft Bushing (intermediate) for 54089.....
54008	8901	Arm Rotary Shaft Collar with three 1259C, for 68111 and 68212, obsolete, use 54450.....
54009	8902	Arm Rotary Shaft Flanged Bushing for 54090.....
54010	8904	Arm Side Cover (front).....
54011	8903	Cloth Plate for 54060.....
54012	8902	" " Slide (left) for 54013.....
54013	-----	Cloth Plate Slide (left) complete for 54060, 68170 and 68193, Nos. 38419, 54012 and two 725J.....
54017	8902	Crank Connecting Rod with 6575, 54218, 68350 and two each 896E and 1057E, for 131344.....
54020	8902	Feed Bar Connection for 68022.....
54020	8902	" (lower) Bar Connection for 68022...
54023	9882	" Connecting Rod Hinge Pin for 68022.
54025	8985	Feed Eccentric (adjustable) with 1103C, two each 217D, 7071 and three 51061C, for 54113.....
54026	9902	Feed Rocking Frame with two 453C, for 68022.....
54026	9902	Feed (lower) Rocking Frame with two 453C, for 68022.....
54027	9883	Looper Carrier with two 175E, for 54383
*54034	-----	" Driving Shaft and Feed Lifting Ec- centric Bracket with 761E, for 68117 and 68168.....
54035	9897	Looper Holder with 1120C, for 147-5 and 147-6 Machines.....
54036	9897	Needle Bar (hollow) with 857C, for 147-5 and 147-6 Machines.....
54039	8985	Lifting Presser Bar Guide Bracket (low- er) with 453C, 640J and 1963, for 147-6 and 147-37 Machines.....
54039	8985	Presser Bar Guide Bracket with 453C, 640J and 1963, for 147-5 Machine.....
54040	9903	Presser Bar Spring (flat) for 147-5 Ma- chine, obsolete, use 38467.....

## NUMERICAL LIST OF PARTS

No.	Plate	Name
54042	9870	Slack Thread Regulator Holder with 175E and two 50150C.....
54043	9870	Slack Thread Regulator Holder Shaft.....
54044	9870	" " " " " Crank (forked) with 1253C.....
54045	8964	Tension (upper thread) Bracket for 147-5 and 147-6 Machines.....
54046	8964	Tension (upper thread) Releasing Shaft for 147-5 and 147-6 Machines.....
54047	8964	Tension (upper thread) Releasing Shaft Crank with 624C.....
54048	8964	Tension (upper thread) Releasing Shaft Crank Link.....
54049	9902	Thread (under) Take-up Staple Bracket with 460C.....
54051	9899	Thread (upper) Take-up for 147-5 and 147-6 Machines.....
54057	9889	Cloth Plate Slide (right) for 54058.....
54058	-----	Cloth Plate Slide (right) complete for 54060 and 68170, Nos. 38419, 54057 and two 725J.....
54060	-----	Cloth Plate complete for 147-5 Machine, Nos. 54011, 54013 and 54058.....
54061	9883	Looper Holder with 1120C and 1147C, for 147-37 Machine.....
54062	-----	Needle Bar complete, for 3/16 in. to 1/4 in. gauges, for 147-37 Machine, Nos. 54064, 54065 and 64319, obsolete, use 131045.....
54063	-----	Needle Bar complete, for 9/32 in. to 3/8 in. gauges, for 147-37 Machine, Nos. 54064, 54066 and 64319, obsolete, use 131045.....
54064	9897	Needle Clamp with two 1498F for 54062 and 54063, obsolete, use 131044.....
54065	9897	Needle Clamp Thread Guard, for 3/16 in. to 1/4 in. gauges, for 54062, obso- lete.....
54066	9897	Needle Clamp Thread Guard, for 9/32 in. to 3/8 in. gauges, for 54063, obso- lete.....
54070	8996	Tension (upper thread) Bracket for 147-37 Machine.....
54071	9889	Tension (upper thread) Releasing Shaft for 147-37 Machine.....
54072	9898	Thread (under) Eyelet (front) for 147-37 Machine.....
54075	9899	Thread (upper) Take-up for 147-37 Ma- chine.....
54080	9897	Looper Driving Shaft and Feed Lift- ing Eccentric Bracket Bushing.....

No.	Plate	Name
54088	-----	Crank Connecting Rod 54017 with 50069C, for 68111 and 68212, obsolete, use 131344.....
54089	-----	Arm Rotary Shaft Bushing (intermediate) 54007 with 64508 and 64805.....
54090	-----	Arm Rotary Shaft Flanged Bushing 54009 with 58039 and 64805.....
54104	9904	Cloth Plate Thread Guard for 147-5 Machine.....
54105	8901	Arm Rock Shaft Flanged Bushing (front)..
54106	9883	Looper (back) closed eye, for 147-37 Machine, obsolete, superseded by 131425, not interchangeable.....
Note: When ordering No. 54106, state gauge of machine for which it is required.		
54107	9883	Looper (front) closed eye, for 147-37 Machine, obsolete, superseded by 131426, not interchangeable.....
Note: When ordering No. 54107, state gauge of machine for which it is required.		
54108	-----	Oil Tube for 54110.....
54109	-----	" " Bracket for 54110.....
54110	9870	Oil Tube complete, for oiling Crank Connecting Rod (upper) Bearing, Nos. 49092, 54108 and 54109.....
54111	8902	Feed Connecting Rod with 1057E and two 896E, for 54113.....
54111	8902	Feed (upper) Connecting Rod with 1057E and two 896E, for 68211.....
54113	-----	Feed Connecting Rod 54111 with 54025, for 68111 and 68212.....
54132	9900	Arm Rock Shaft Crank (front) with 448C and 453C, for 68214.....
54147	9895	Feed (upper) Connection for 147-6 and 147-37 Machines.....
54148	9895	Feed (upper) Connection Pin for 147-6 Machine.....
54149	9895	Feed (upper) Lifting Regulator with 50200C, for 147-6 and 147-37 Machines, obsolete, use 131711.....
54152	9895	Feed (upper) Lifting Regulator Shaft Crank with two 140123C, for 147-6 and 147-37 Machines.....
54155	9903	Feed (upper) Rock Shaft for 147-6 and 147-37 Machines.....
54197	9898	Lifting Presser Bar Lifting Lever Connecting Stud for 147-6 and 147-37 Machines.....
54210	9889	Balance wheel, 2 5/8 in. pulley, with two 51283C, for 147-6 and 147-37 Machines.....

No.	Plate	Name
54116	9884	Crank Connecting Rod Oil Cup Oil Pad (braided cotton) for 54017.....
54227	9883	Looper Carrier Connection for 54383.....
54228	9883	" " " Shaft for 54383
54229	9883	" " " " Bushing..
54230	9883	" " Driver with four 175E, for 54383.....
54242	9870	Slack Thread Controller Clamp.....
54326	9882	Needle Bar Connecting Link for 54329....
54327	9882	" " " " Hinge Stud for 54329.....
54328	9882	Needle Bar Connecting Stud with 211F and two 187E, for 54329.....
54329	-----	Needle Bar Connecting Link 54326 with 54327 and 54328.....
54367	8985	Arm Rotary Shaft Bushing (front).....
*54368	9897	Looper Driving Shaft and Feed Lifting Eccentric with 227E and two 64315, for 54383.....
Note: When No. 54368 is required for repairs, the Arm Rotary Shaft must be returned to the factory to be adjusted to the new part.		
54369	9896	Feed (upper) Rock Shaft Collar with two 465C, for 147-6 and 147-37 Machines.
54381	9870	Slack Thread Controller.....
54383	-----	Looper Driving Shaft and Feed Lifting Eccentric 54368 with 54027, 54227, 54228 and 54230, for 68111 and 68212
54435	9899	Thread (under) Take-up Staple with 590D and 38481, for 147-37 Machine.....
54450	20693	Arm Rotary Shaft Collar with two 1258C, for 68111 and 68212, 54477, 20638 Machine Base Screw Stud for 131320 and 131327.....
54488	9903	Feed Bar with 50429C and two 453C, for 68022.....
54488	9903	Feed (lower) Bar with 50429C and two 453C, for 68022.....
54897	8904	Crank Connecting Rod Oil Cup for 54017, obsolete, use 68350.....
54988	8964	Tension (upper thread) Releasing Pin....
56003	8985	Arm Oil Tube with 52045, for oiling 54326.....
56006	8901	Arm Oil Pad (braided cotton) for oiling Arm Rock Shaft Intermediate Bearing.
56864	8941	Chain Hook (large) for 6439 and 37563...
56865	8985	" " (small) for 6439 and 37563...
57076	8954	Tension (upper thread) Thread Guide (double) obsolete, use 131696.....
57225	8904	Feed Bar Hinge Pin for 68022.....

No.	Plate	Name
57225	8904	Feed (lower) Bar Hinge Pin for 68022....
57234	9882	" Rocking Frame Hinge Pin for 147-5 Machine.....
57234	9882	Feed (lower) Rocking Frame Hinge Pin for 147-6 and 147-37 Machines.....
57235	8985	Feed Rocking Frame Hinge Pin Bushing for 147-5 Machine.....
57235	8985	Feed (lower) Rocking Frame Hinge Pin Bushing for 147-6 and 147-37 Machines.....
57255	9902	Lifting Presser Bar with 25303, for 147-6 and 147-37 Machines.....
57257	9882	Presser Bar Lifter for 147-5 Machine....
57258	9882	" " " Hinge Pin for 147-5 Machine.....
57285	8996	Machine Cushion (felt) for 68224, obsolete.....
58039	8902	Arm Rotary Shaft Flanged Bushing Oil Pad, long (braided cotton) for 54090
59456	9898	Thread (upper) Nipper Disc (outside) Nut Washer for 68137.....
59534	8964	Tension (under thread) Spring.....
59535	8964	" (upper thread) Spring.....
59537	8964	" (under thread) Spring Bushing (large).....
59537	8964	Tension (upper thread) Spring Bushing (large).....
59538	8964	Tension (under thread) Spring Bushing (small).....
59538	8964	Tension (upper thread) Spring Bushing (small).....
59539	-----	Tension (under thread) Screw Stud 50326C with 51570C.....
59539	-----	Tension (upper thread) Screw Stud 50326C with 51570C.....
60656	8952	Bench Stand Hinge for 79611.....
60884	8985	Machine Base Oil Pipe Plug for 68224, obsolete.....
61047	9898	Presser Bar Lifting Bracket with 460C and 1872, for 147-5 Machine.....
61075	9901	Presser Bar Lifting Lever Connecting Stud for 147-5 Machine.....
64255	9882	Arm Rock Shaft Crank (front) with 453C, for 68119.....
64259	9902	Balance Wheel with two 51283C, for 147-5 Machine.....
64268	8904	Crank Connecting Rod Ball Screw Stud Nut Washer, obsolete.....
64269	9889	Face Plate for 147-5 Machine.....
64315	9870	Looper Driving Shaft and Feed Lifting Eccentric Oil Hole Plug for 54368...

No.	Plate	Name
64319	9897	Needle Bar (hollow) for 54062, 54063 and 131045.....
64320	9882	Needle Bar Bushing (upper) for 147-5 Machine.....
64330	9902	Presser Bar with 25303, for 147-5 Machine.....
64331	9882	Presser Bar Bushing (lower) for 147-5 Machine.....
64351	9870	Thread (under) Nipper Cam with 465C, for 68111 and 68212.....
64355	9899	Thread (under) Take-up Thread Guard (brass) for 68111 and 68212.....
64356	9899	Thread (under) Take-up Thread Guard Steady Pin.....
64386	8901	Arm Rock Shaft Bushing (back).....
64388	8901	" " " " (intermediate)...
64508	8902	" Rotary Shaft Bushing (intermediate) Oil Pad, long (braided cotton) for 54089.....
64805	8965	Arm Rotary Shaft Bushing (intermediate) Oil Pad, short (braided cotton) for 54089.....
64805	8985	Arm Rotary Shaft Flanged Bushing Oil Pad, short (braided cotton) for 54090
68022	-----	Feed Rocking Frame 54026 with 21506, 54020, 54023, 54488 and 57225, for 147-5 Machine.....
68022	-----	Feed (lower) Rocking Frame 54026 with 21506, 54020, 54023, 54488 and 57225, for 147-6 and 147-37 Machines.....
68030	9900	Cloth Plate Oil Tube with 49092, for 68170 and 68193.....
68051	9903	Feed (upper) Regulator Bracket for 147-6 and 147-37 Machines.....
68052	9896	Feed (upper) Regulator Crank with two 1259C, for 147-6 and 147-37 Machines
68078	9899	Thread (under) Eyelet (back) for 147-6 Machine.....
*68110	9904	Arm Rotary Shaft for 68111 and 68212....
Note: When No. 68110 is required for repairs the Looper Driving Shaft and Feed Lifting Eccentric must be returned to the factory to be adjusted to the new part.		
68111	-----	Arm Rotary Shaft 68110 with 640E, 54113, 54383, 54450, 64351, 64355 and 131344, for 147-5 Machine.....
*68117	-----	Arm, upper and lower (solid) with 948J, 15404, 54034 and two 15405, for 147-5 Machine.....
68118	9904	Arm Rock Shaft for 68119.....
68119	-----	" " " 68118 with 54004 and 64255, for 147-5 Machine.....

No.	Plate	Name
68120	9892	Feed Dog, 15 teeth (10 teeth to the inch) for 68139.....
68121	9897	Looper for 147-5 and 147-6 Machines.....
68122	9897	Needle Guard for 147-5 and 147-6 Machines.....
68123	9897	Needle Guard Clamp.....
68124	-----	Presser Foot Plate for 68125.....
68125	9890	Presser Foot (hinged) complete for 147-5 Machine, Nos. 26276, 46099 and 68124.
68126	9899	Slack Thread Regulator for 147-5 and 147-6 Machines.....
68128	9900	Thread (under) Take-up with two lbs.C....
68129	9898	" (upper) Nipper Body for 68137....
68130	9898	" " " Disc (inside) for 68137.....
68131	9898	Thread (upper) Nipper Disc (inside) Washer (fibre) for 68137.....
68132	9898	Thread (upper) Nipper Disc (outside) for 68137.....
68133	9898	Thread (upper) Nipper Roller for 68136..
68134	9898	" " " " Hinge Pin for 68136.....
68135	9898	Thread (upper) Nipper Stud for 68136....
68136	-----	" " " " 68135 with 68133 and 68134, for 68137.....
68137	-----	Thread (upper) Nipper complete, Nos. 1698R, 13218, 59456, 68129 to 68132 and 68136.....
68138	9898	Thread (upper) Nipper Thread Guide.....
68139	9892	Throat Plate for 68120, for 147-5 and 147-6 Machines.....
*68168	-----	Arm, upper and lower (solid) with 943J, 15404, 54034 and two 15405, for 147-6 and 147-37 Machines.....
68169	9904	Cloth Plate for 68170 and 68193.....
68170	-----	Cloth Plate complete for 147-6 Machine, Nos. 54013, 54058, 68030 and 68169....
68171	9902	Face Plate for 147-6 and 147-37 Machines
68172	9895	Feed (upper) Bar for 68215.....
68173	9895	" " " Connecting Bracket with 50200C, for 68215.....
68174	9895	Feed (upper) Bar Connecting Link for 68215.....
68175	9895	Feed (upper) Bell Crank for 68215.....
68176	9896	" " Eccentric with two 1036C, for 68211.....
68177	9895	Feed (upper) Lifting Regulator Connecting Link for 68215.....
68178	9895	Feed (upper) Rock Shaft Crank (front) with 172E, for 68215.....

No.	Plate	Name
68179	9896	Feed (upper) Rock Shaft Pitman for 68225
68180	9891	Feeding Foot, for plain stitching, for 147-6 Machine.....
68181	9896	Lifting Presser Bar Guide Bracket (upper) with 50200C, for 147-6 and 147-37 Machines.....
68182	9903	Lifting Presser Bar Lifter for 147-6 and 147-37 Machines.....
68183	9903	Lifting Presser Bar Lifting Lever for 147-6 and 147-37 Machines.....
68184	9903	Lifting Presser Bar Lifting Lever Extension (back) for 147-6 and 147-37 Machines.....
68184	9903	Presser Bar Lifting Lever Extension for 147-5 Machine.....
68185	9903	Lifting Presser Bar Lifting Lever Extension (front) for 147-6 and 147-37 Machines.....
68186	9891	Lifting Presser Foot, for plain stitching, for 147-6 Machine.....
68187	9898	Needle Bar Bushing (upper) for 147-6 and 147-37 Machines.....
68190	9900	Tension (upper thread) Oil Cup complete for 147-5 and 147-6 Machines, Nos. 12486 and 44224.....
68191	9902	Cloth Plate Slide (right) for 68192....
68192	-----	Cloth Plate Slide (right) complete for 68193, Nos. 38419, 68191 and two 725J.....
68193	-----	Cloth Plate complete, for 5/16 in. to 3/8 in. gauges, for 68198, for 147-37 Machine, Nos. 54013, 68030, 68169 and 68192.....
68194	9893	Feed Dog, 14 teeth (10 teeth to the inch) for 68198.....
68195	9894	Feeding Foot, 20 teeth (16 teeth to the inch) for 3/16 in. to 3/8 in. gauges, for 147-37 Machine.....
68196	9893	Lifting Presser Foot, for 3/16 in. to 3/8 in. gauges, for 147-37 Machine..
68197	9898	Needle Guard, for 3/16 in. to 3/8 in. gauges, for 147-37 Machine.....
68198	9893	Throat Plate, for 5/16 in. to 3/8 in. gauges, for 68194, for 147-37 Machine.....
68199	9899	Slack Thread Regulator for 147-37 Machine.....
68204	9895	Feed (upper) Lifting Regulator Shaft for 147-6 and 147-37 Machines, obsolete.
68205	9896	Lifting Presser Bar Lifting Bracket with 462C and 1872, for 147-6 and 147-37 Machines, obsolete, use 68351.....

No.	Plate	Name
68208	9903	Presser Bar Lifting Lever for 147-5 Machine.....
68211	-----	Feed (upper) Connecting Rod 54111 with 68176, for 68212.....
68212	-----	Arm Rotary Shaft 68110 with 640E, 54113, 54383, 54450, 64351, 64355, 68211 and 131344, for 147-6 and 147-37 Machines.....
68213	9904	Arm Rock Shaft for 68214.....
68214	-----	" " " 68213 with 54004 and 54132, for 147-6 and 147-37 Machines.....
68215	-----	Feed (upper) Bar 68172 with 1194C, 1749C, 9525, 68173 to 68175, 68177, 68178, two each 1283C, 1708J and three 1239F, for 147-6 and 147-37 Machines.....
68216	9904	Cloth Plate Thread Guard for 147-6 and 147-37 Machines.....
68222	9879	Belt Guard with two wood screws 1 in. No. 12.....
68223	9879	Machine Base for 68224, obsolete.....
68224	-----	Machine Base complete, Nos. 49123, 60884, 68223, three each 6055, 51072E and four each 948E and 57285, obsolete, use 131320.....
68225	-----	Feed (upper) Rock Shaft Pitman 68179 with 41F, 1520J, 14017, 50950C and 51584C, for 147-6 and 147-37 Machines.....
68228	9892	Feeding Foot, for welting, to feed on the welt, for 147-6 Machine.....
68229	9892	Lifting Presser Foot, for welting, for 147-6 Machine.....
68230	9892	Feeding Foot, for welting, to feed on right hand side of the welt, for 147-6 Machine.....
68240	9896	Feed (upper) Regulator for 147-6 and 147-37 Machines.....
68241	9894	Feed Dog, 16 teeth (12 teeth to the inch) for 68243.....
68242	9894	Lifting Presser Foot, for 1/4 in. to 3/8 in. gauges.....
68243	9894	Throat Plate for 1/4 in. to 5/16 in. gauges, for 68241.....
68261	9901	Tension (upper thread) Releasing Shaft Spring.....
68350	20693	Crank Connecting Rod Oil Cup for 54017..
68351	20693	Lifting Presser Bar Lifting Bracket with 462C and 1872, for 147-6 and 147-37 Machines.....

No.	Plate	Name
79611	-----	Bench Stand with 5604, 9370, two 4153B, three wood screws 1 1/4 in. No. 14, four 60656 and sixteen wood screws 5/8 in. No. 7.....
120341	8941	Tweezers, curved (Accessories).....
120344	8941	Oiler (copper plated) with 120345 (Accessories).....
120345	8941	Oiler Spout, 5 in. long, for 120344.....
120440	-----	Screw Driver (Accessories).....
*120671	-----	Tape Reel Disc for 120672.....
120672	9867	" " " 120671 with 120673, for 120680.....
*120673	-----	Tape Reel Hub for 120672.....
120674	9867	" " Rod for 120680.....
120680	-----	Tape Reel (9 in. disc) complete, for under the bench, for Rug Attachment No. 120748, Nos. 28012, 120672 and 120674.....
		Nos. 120744 to 120747 for 120748
120744	9905	Attachment Fringe Guide with Nap Guide on Bracket.....
120745	9905	Attachment Leveling Plate.....
120746	-----	" Rug Guide.....
120747	9905	" Tape Guide on Shank.....
120748	9905	Attachment complete, for fringing and taping edges of rugs in one operation, for 147-37 Machine, Nos. 96B, 36006, 120744 to 120747 and four 1443J.....
		Nos. 120765 to 120769 for 120770
120765	9905	Attachment Binder on Shank.....
120766	9905	" Edge Guide.....
120767	9905	" Fringe Guide.....
120768	-----	" Leveling Plate.....
120769	9905	" Tape Guide.....
120770	9905	Attachment complete, for binding and fringing edges of rugs in one operation, for 147-37 Machine, Nos. 96B, 36006, 120765 to 120769, two each 3146, 50004B and four 1443J.....
126247	8952	Bench Stand Flush Bolt for 41538.....
126248	8952	" " " " Plate for 41538..
126249	9904	Treadle for 126252 and 150452.....
126250	8941	" Spring for 126252.....
126251	9904	" Stand for 126252, obsolete, use 150451.....

From the library of the Needle Company



No.	Plate	Name
126252	9904	Treadle complete, Nos. 4882, 126249 to 126251 and two wood screws 1 in. No. 16, obsolete, use 150452.....
138690	9896	Feed (upper) Rock Shaft Crank (back) with two 50200C, for 147-6 and 147-37 Machines.....
131019	20638	Machine Base Oil Pipe for 131320.....
131020	20638	" " " " Valve for 131320..
131044	20693	Needle Clamp with two 1498F, for 3/16 in to 3/8 in. gauges, for 131045.....
Note: When ordering No. 131044, state gauge required.		
131045	20693	Needle Bar complete for 3/16 in. to 3/8 in. gauges, Nos. 64319 and 131044, for 147-37 Machine.....
Note: When ordering No. 131045, state gauge required.		
131072	20693	Arm Rock Shaft Crank, back (ball bearing, solid) with two 50083C, for 131344..
131185	20639	Machine Base Oil Drain Jar (glass) for 131268.....
131188	20639	Machine Base Oil Drain Jar Clamp for 131217.....
131189	20639	Machine Base Oil Drain Jar Clamp Lever for 131217.....
131191	20639	Machine Base Oil Drain Jar Cap for 131268.....
131217	-----	Machine Base Oil Drain Jar Clamp 131188 with 131189.....
131265	20639	Machine Base Oil Drain Jar Nipple (long) for 131268.....
131266	20639	Machine Base Oil Drain Jar Nipple (short) for 131268.....
131267	20639	Machine Base Oil Drain Jar Nipple Elbow for 131268.....
131268	20639	Machine Base Oil Drain Jar (swinging type) complete for 131327, Nos. 131185, 131191, 131217, 131266 and two each 1247C, 131265 and 131267.....
131279	20638	Machine Cushion (felt) for 131320 and 131327.....
131296	20693	Looper (self threading) with 590J and 38393, for 147-5 and 147-6 Machines.
131320	20638	Machine Base complete, Nos. 131019, 131020, 131340, three each 9842, 51576E, 54477 and four each 948E and 131279.....
131327	20639	Machine Base with Oil Drain Jar (swinging type) complete, Nos. 131268, 131340, three each 9842, 51576E, 54477 and four each 948E and 131279.....
131340	20638	Machine Base for 131320 and 131327.....

No.	Plate	Name
131344	-----	Crank Connecting Rod 54017 with 131072, for 68111 and 68212.....
131425	20693	Looper (back) closed eye for 147-37 Machine.....
Note: When ordering No. 131425, state gauge of machine for which it is required.		
131426	20693	Looper (front) closed eye for 147-37 Machine.....
Note: When ordering No. 131426, state gauge of machine for which it is required.		
131680	20693	Feeding Foot, 20 teeth (16 teeth to the inch) for 3/16 in. to 3/8 in. gauges, for taping edges of rugs, for 147-37 Machine.....
131681	20693	Lifting Presser Foot, for 3/16 in. to 3/8 in. gauges, for taping edges of rugs, for 147-37 Machine.....
131696	20693	Tension (upper thread) Thread Guide (double).....
131711	20693	Feed (upper) Lifting Regulator for 147-6 and 147-37 Machines.....
140123C	20693	Feed (upper) Lifting Regulator Shaft Crank Set Screw for 54152.....
150203	22248	Thread Unwinder Spool Rest Cushion (felt) for 225258 and 259144.....
150451	20633	Treadle Stand for 150452.....
150452	20633	Treadle complete, Nos. 4882, 126249, 126250, 150451 and two screws 1 in. No. 16 F.H.....
200383C	8985	Thread Unwinder Spool Rest Rod Set Screw for 202490.....
201018C	8985	Thread Unwinder Spool Rest Set Screw for 225257 and 225395.....
201696J	9901	Thread Unwinder Thread Guide Lock Nut for 225258, 225396, 225398 and 259144.
202490	8953	Thread Unwinder Spool Stand with 200383C, for 225258, 225396, 225398 and 259144.....
225257	22248	Thread Unwinder Spool Rest with 201018C, for 225258 and 259144.....
225258	22248	Thread Unwinder complete for two spools, for 147-5 and 147-6 Machines, Nos. 201696J, 202490, 225257, 225324, 225326, 225388, two each 150203, 225391 and three wood screws 7/8 in. No. 12....
225322	22248	Thread Unwinder Thread Guide Rod Washer for 225324.....
225324	22248	Thread Unwinder Thread Guide Rod with 208E and 225322, for 225258 and 259144.....
225326	22248	Thread Unwinder Thread Guide Position Cup for 225258 and 259144.....

## NUMERICAL LIST OF PARTS

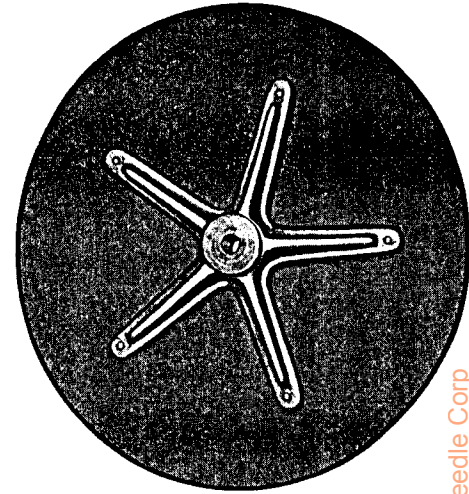
No.	Plate	Name
225388	8953	Thread Unwinder Spool Rest Rod for 225258, 225396, 225398 and 259144...
225390	8996	Thread Unwinder Thread Cone Holder for inverted cones, for 225258, 225396, 225398 and 259144.....
225391	8953	Thread Unwinder Thread Guide for 225258, 225396, 225398 and 259144.....
225392	8953	Thread Unwinder Thread Guide Rod with 208E and 225393, for 225396 and 225398, obsolete.....
225393	9901	Thread Unwinder Thread Guide Rod Washer for 225392, obsolete.....
225395	8953	Thread Unwinder Spool Rest with 201018C, for 225396 and 225398, obsolete.....
225396	7233	Thread Unwinder complete, for two spools, for 147-5 and 147-6 Machines, Nos. 201696J, 202490, 225388, 225392, 225395, two 225391 and three wood screws 7/8 in. No. 12, obsolete, use 225258.....
225398	8953	Thread Unwinder complete, for four spools, for 147-37 Machine, Nos. 201696J, 202490, 225388, 225392, two 225395, four 225391 and three wood screws 7/8 in. No. 12, obsolete, use 259144.....
259144	20694	Thread Unwinder complete, for four spools, for 147-37 Machine, Nos. 201696J, 202490, 225324, 225326, 225388, two 225257, four each 150203, 225391 and three wood screws 7/8 in. No. 12....

**Genuine Singer Needles should be used  
in Singer Machines.  
These Needles and their Containers  
are marked with the  
Company's Trade Mark "SIMANCO." 1**

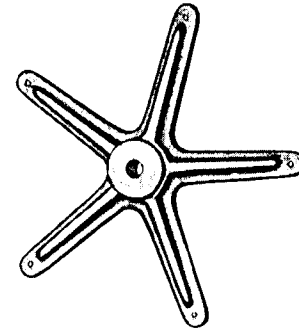
**Needles in Containers marked  
"For Singer Machines"  
are not Singer made needles. 2**

ILLUSTRATIONS  
OF  
PARTS

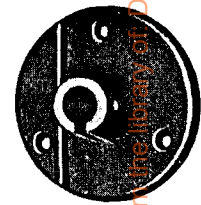
35909



35910



35915



From the library of Diamond Needle Corp

PLATE 6480—FULL SIZE

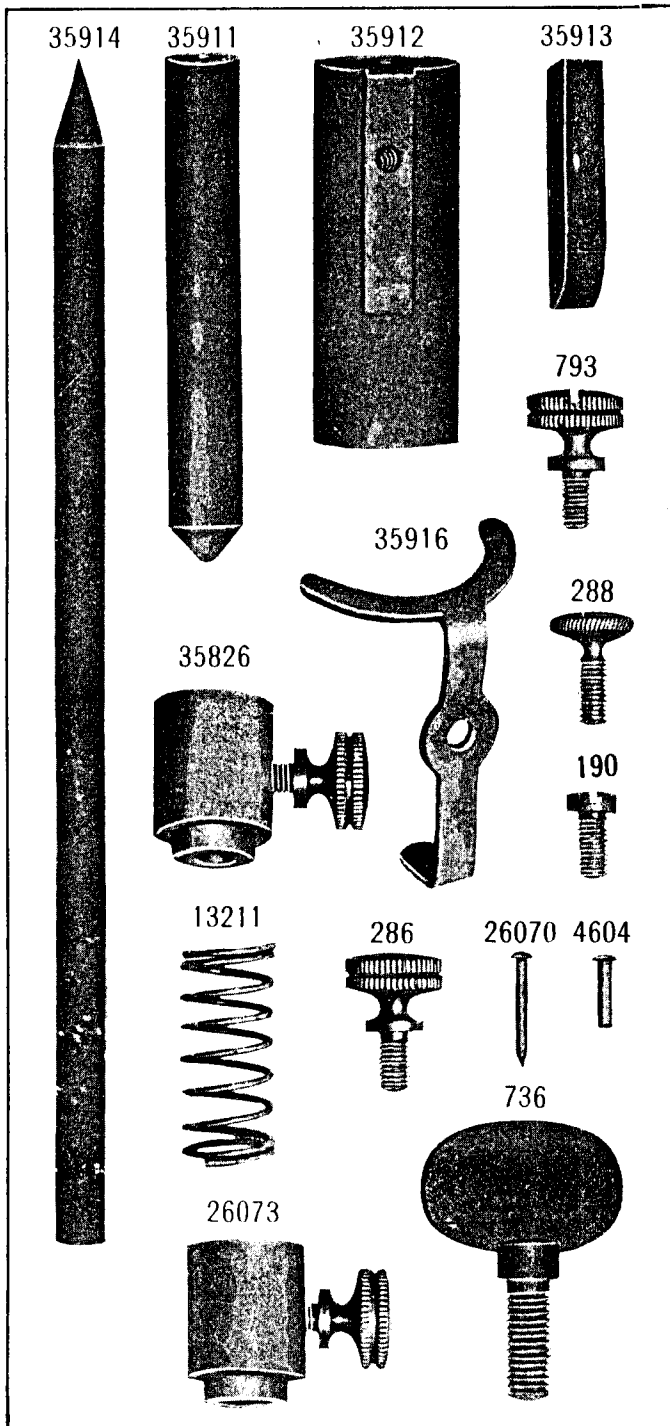
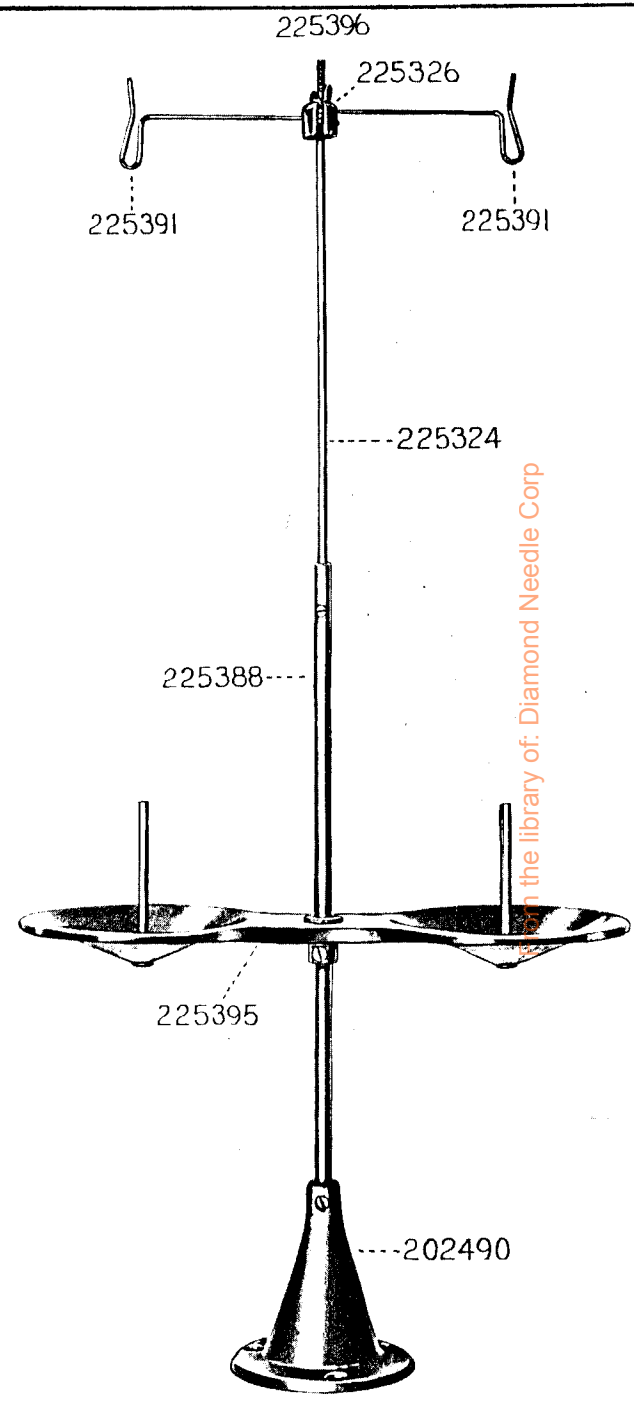


PLATE 7233—ONE-FOURTH SIZE



in the library of: Diamond Needle Corp

PLATE 8901—FULL SIZE

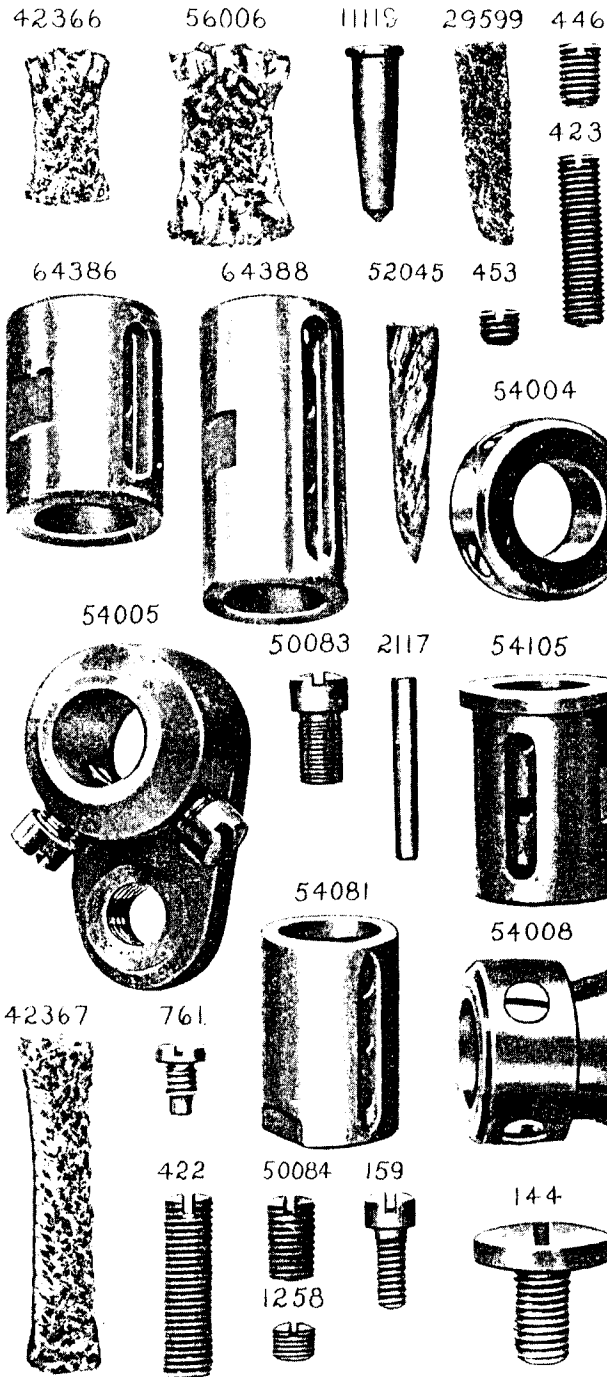


PLATE 8902—ONE-HALF SIZE

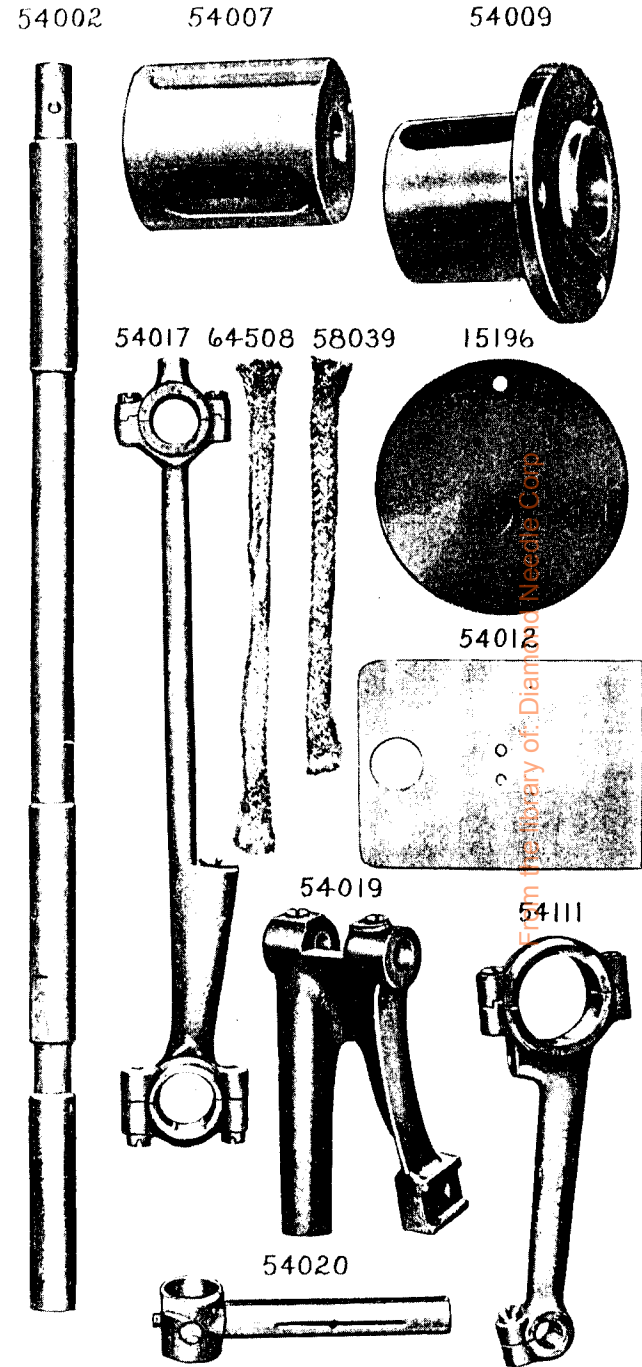
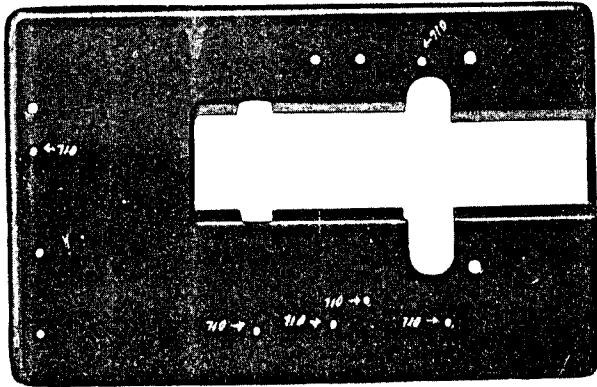


PLATE 8903—ONE-FOURTH SIZE

54011



54006

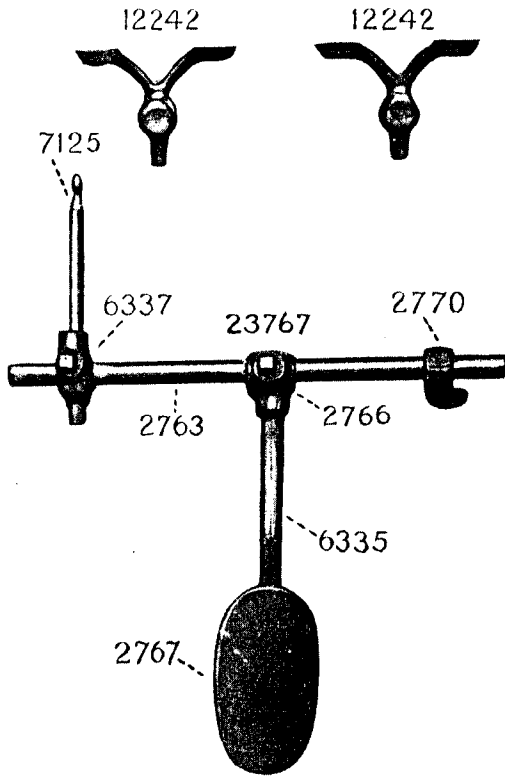


PLATE 8904—FULL SIZE

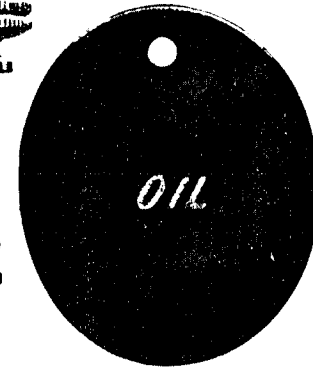
49013



286



54010



430



50473



1011



38419



725



1235



50069



1516



64268



896



1057



54897



57225



21506



457



54218



6575



443



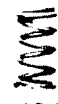
7071



50429



61171



1103



157



21332



934



PLATE 8941—ONE-HALF SIZE

19221 8908 120344 120341 38487

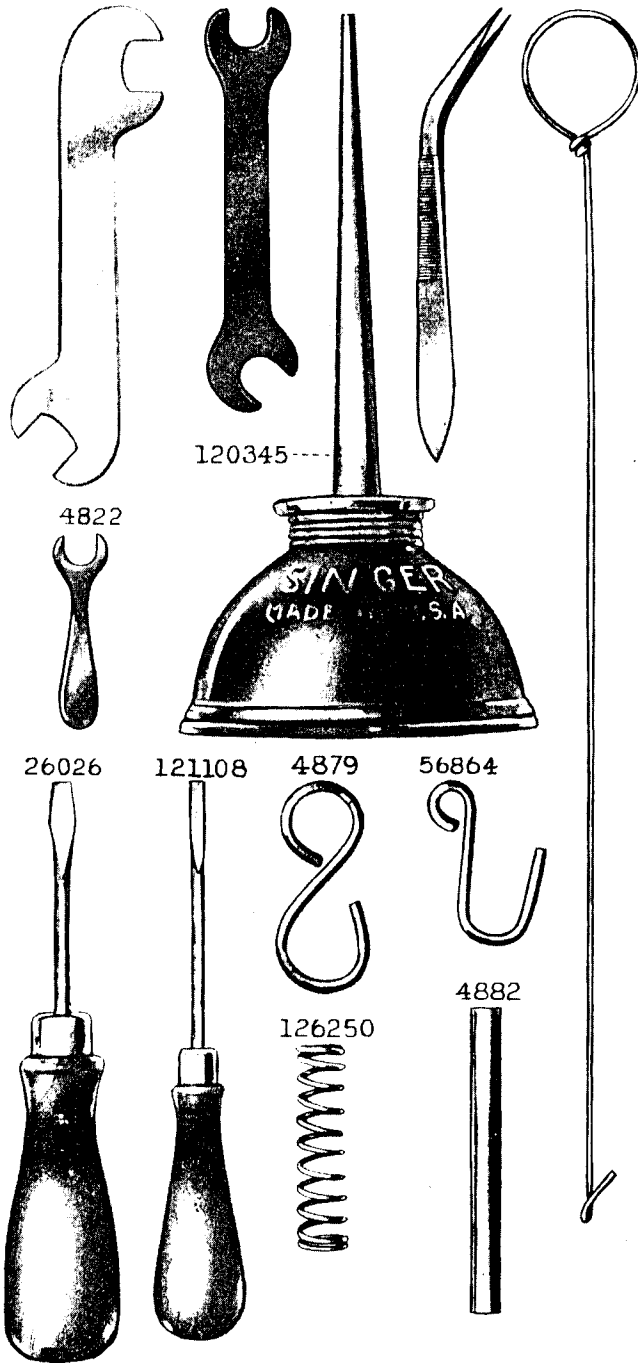
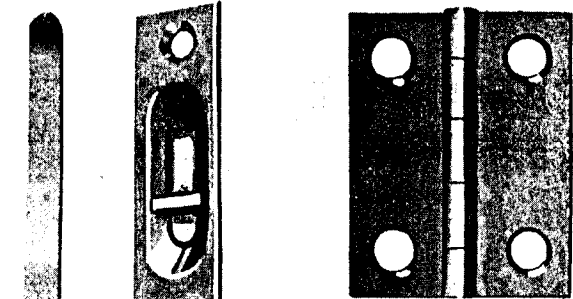
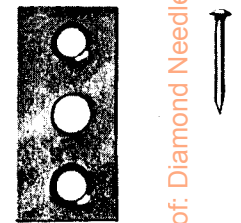


PLATE 8952—FULL SIZE

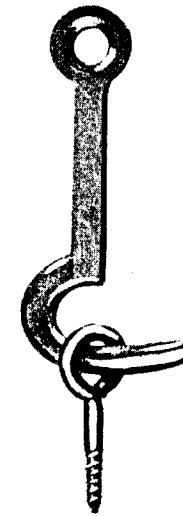
9370 126247 124500



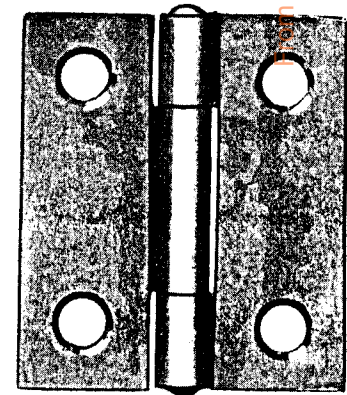
126248 5604



27998



60656



from the library of: Diamond Needle Corp

PLATE 8953—ONE-FOURTH SIZE

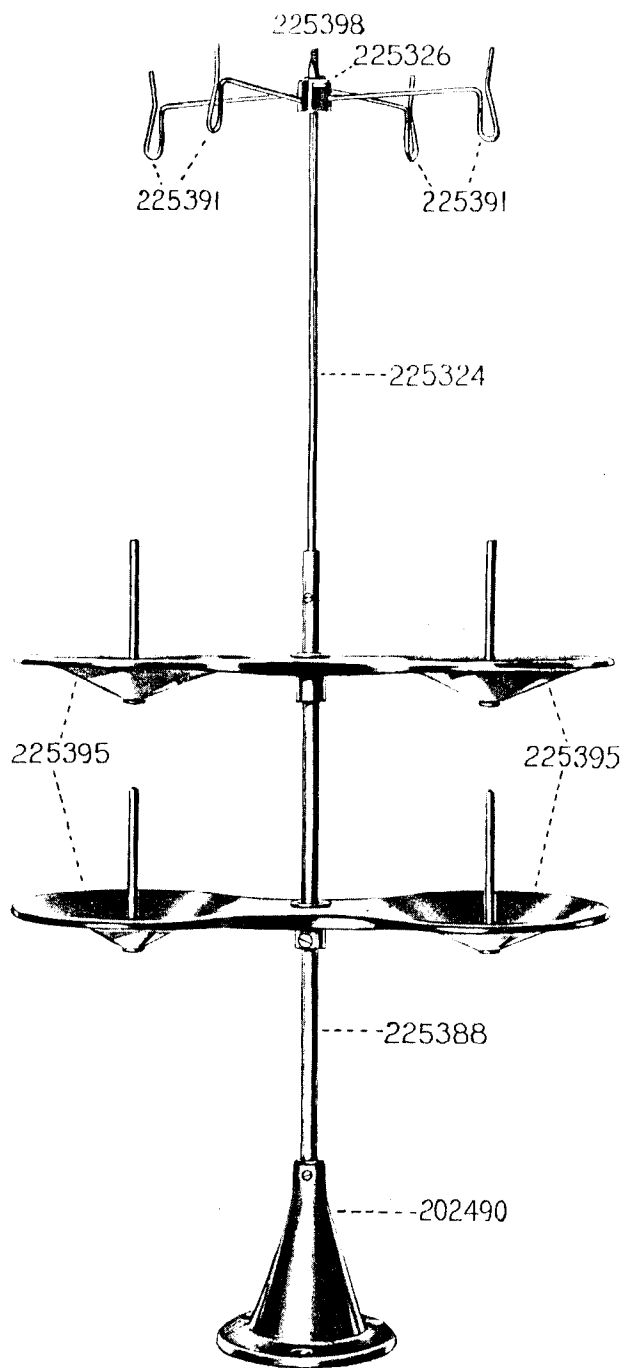


PLATE 8958—FULL SIZE

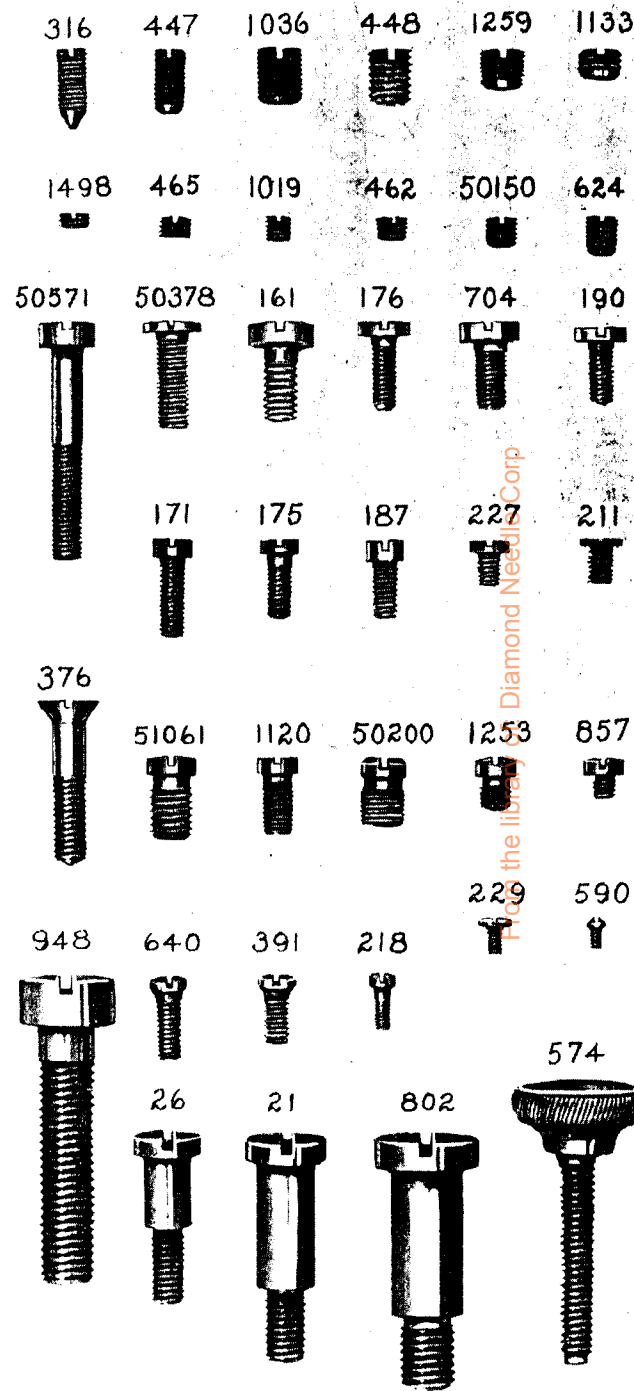




PLATE 8964—FULL SIZE

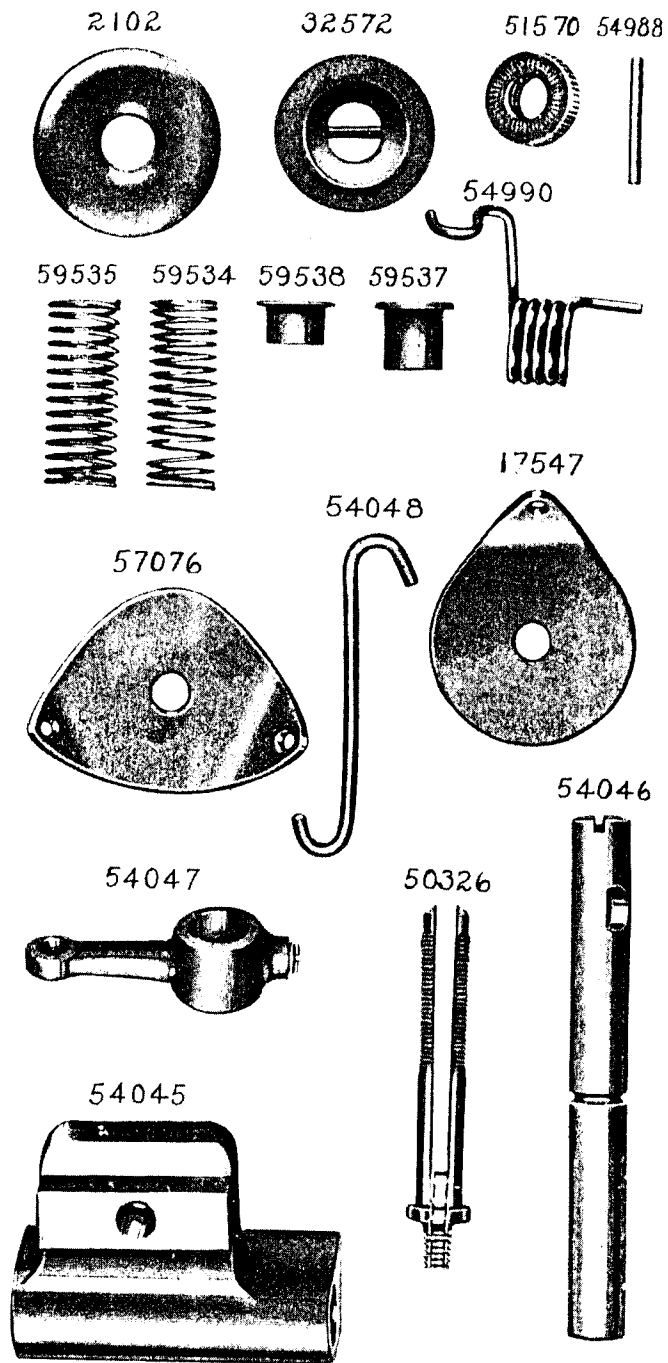


PLATE 8985—FULL SIZE

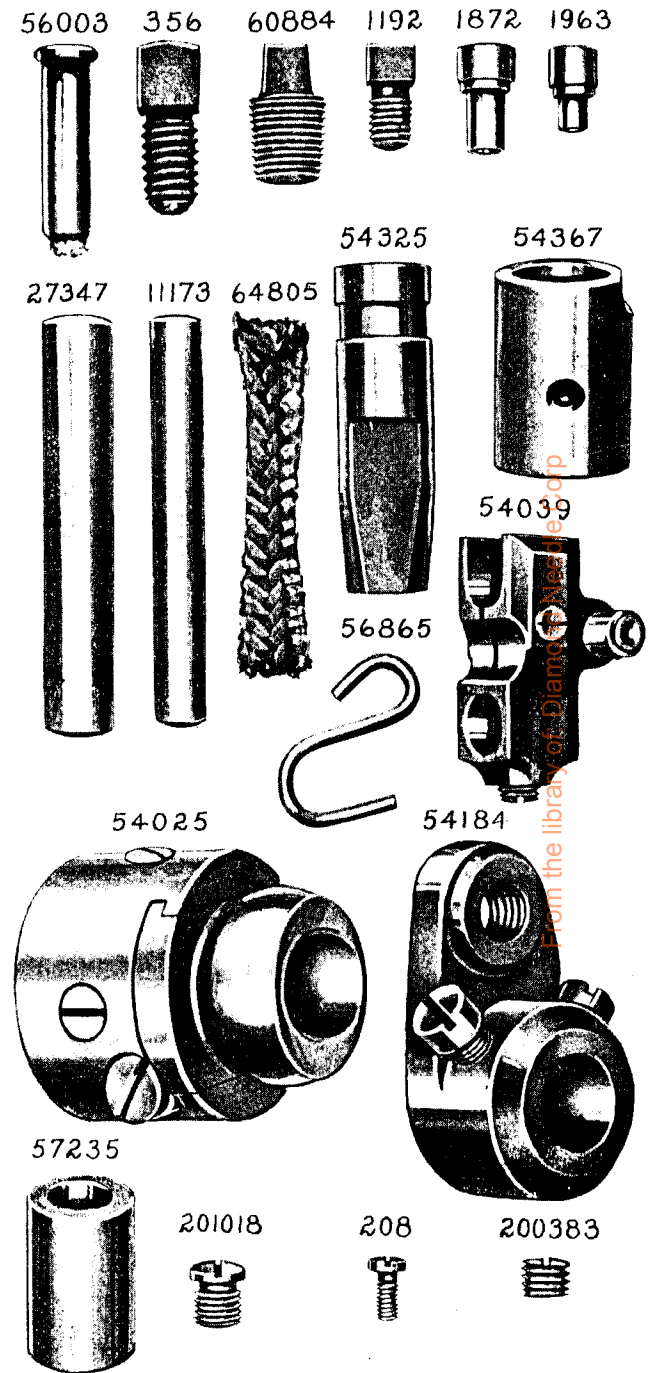


PLATE 8996—ONE-HALF SIZE

64362 54245 54070 49123

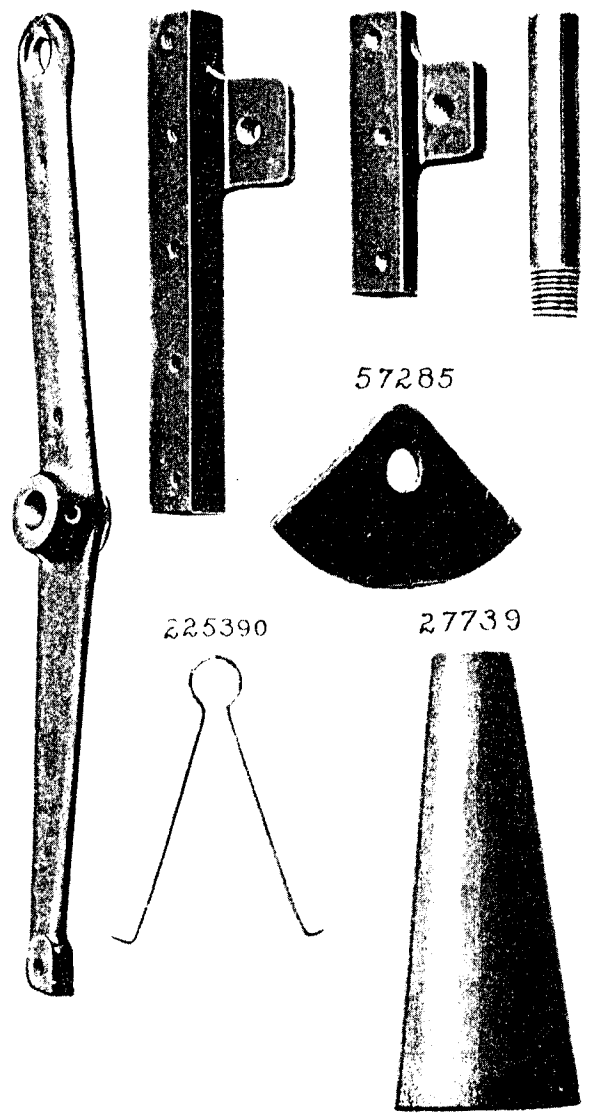
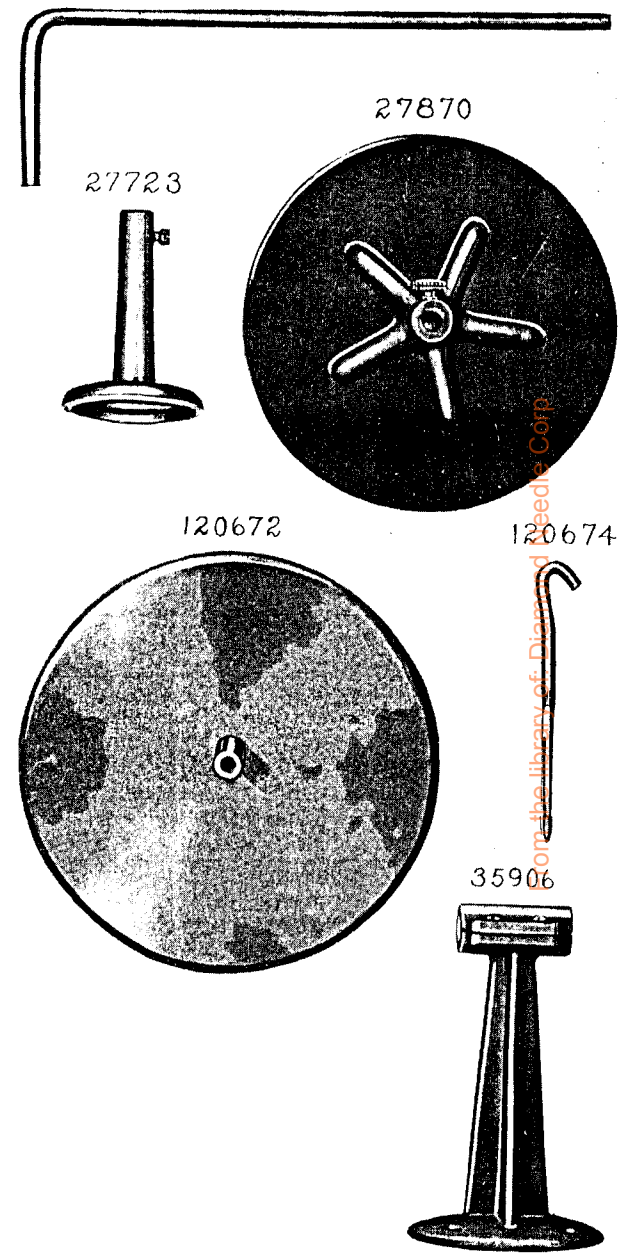


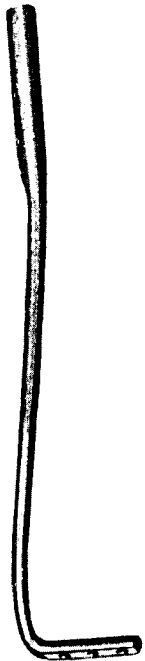
PLATE 9867—ONE-FOURTH SIZE

120528



From the Library of Dr. J. R. Speidie Corp

54500



54043



54381



54042



54044



54242



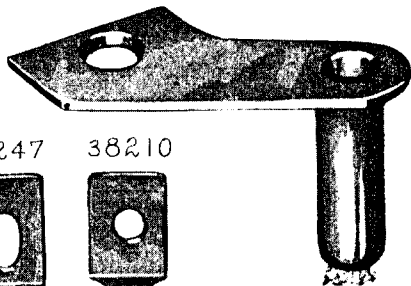
24292



38211



54110



46247



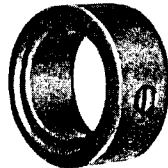
38210



49092



64351



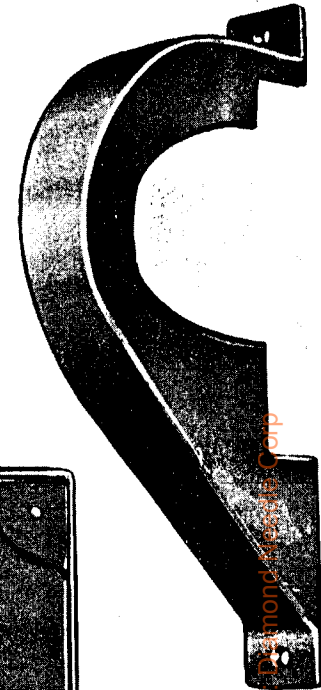
64315



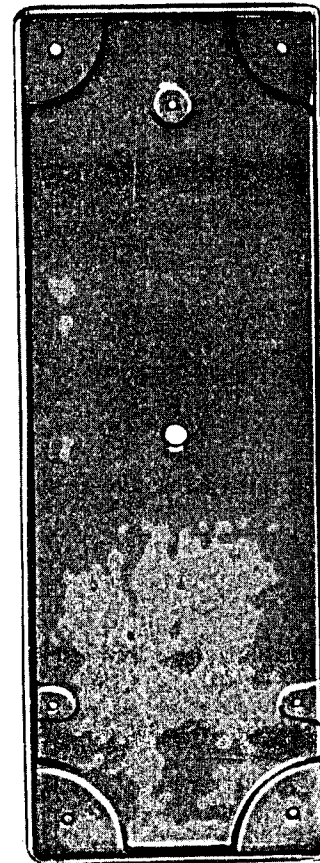
59456



68222



68223



From the library of The Diamond Research Corp

PLATE 9882—FULL SIZE

57234



54023



64331



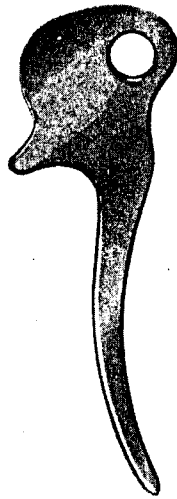
64320



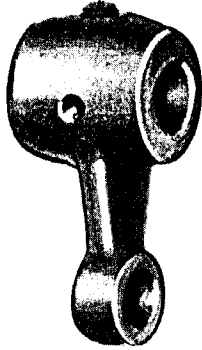
57258



57257



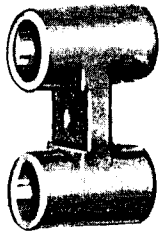
64255



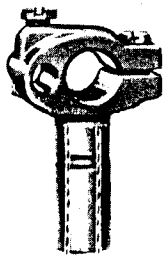
54327



54326



54328



38456

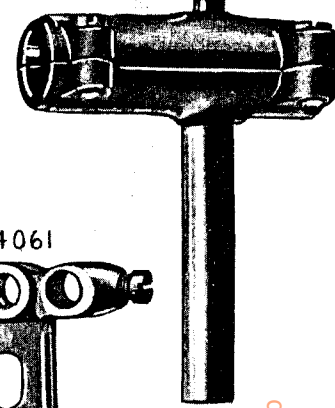


PLATE 9883—FULL SIZE

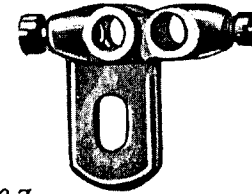
54228



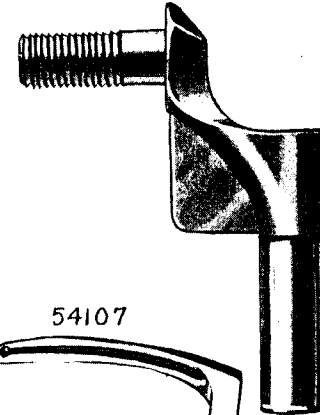
54230



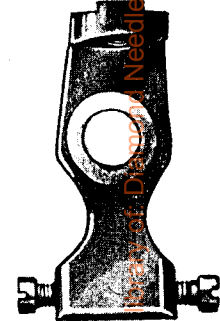
54061



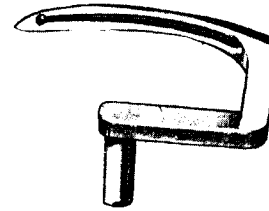
54227



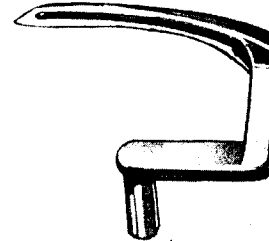
54027



54107



54106



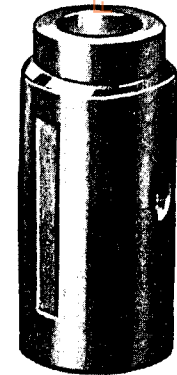
1120



1147



54229



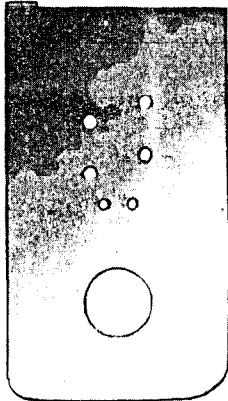
Illustrations from the Library of Congress

PLATE 9889—ONE-HALF SIZE

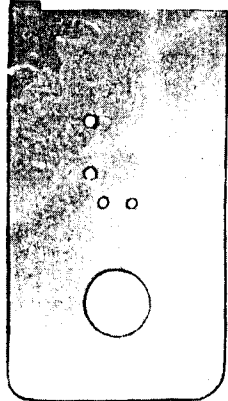
54014



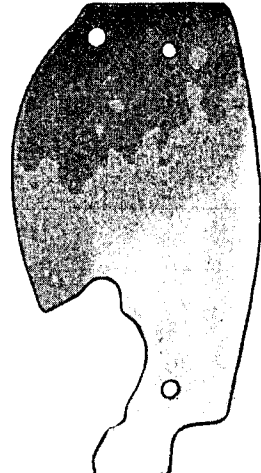
54055



54057



64269



54071



54210

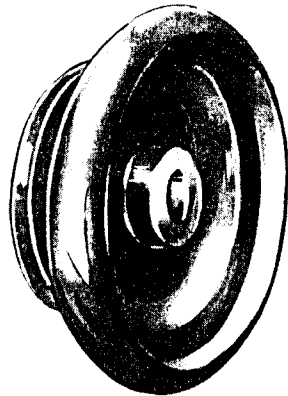
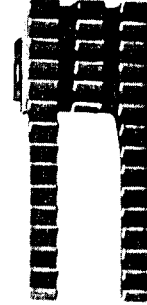


PLATE 9890—FULL SIZE

68120



68125



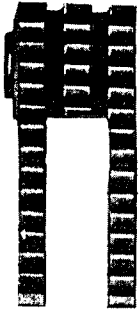
68139



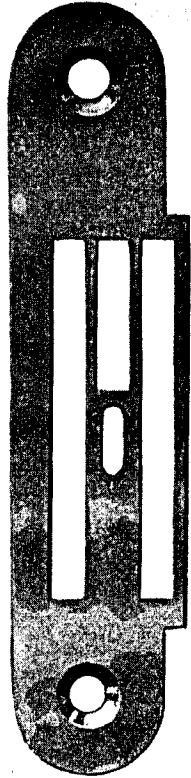
From the library of Diamond Needle Corp.

PLATE 9891—FULL SIZE

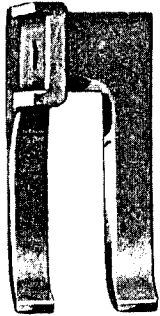
68120



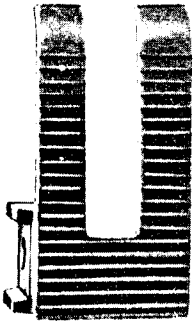
68139



68180



68180



68186

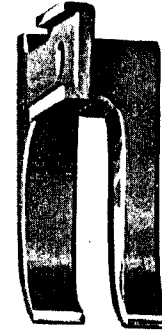


PLATE 9892—FULL SIZE

68120



68228



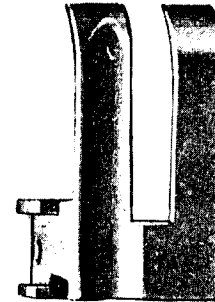
68139



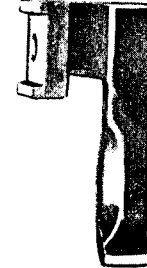
68229



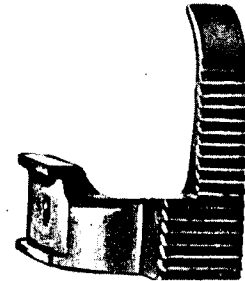
68228



68230



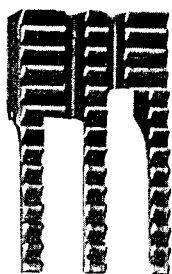
68230



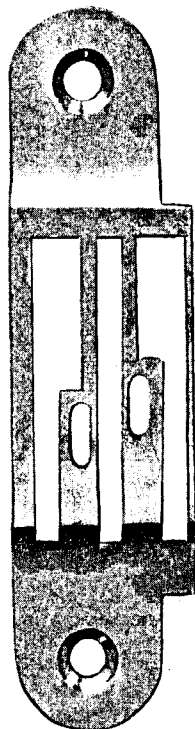
from the library of the Naval Research Laboratory

PLATE 9893—FULL SIZE

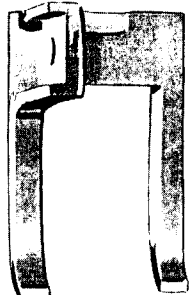
68194



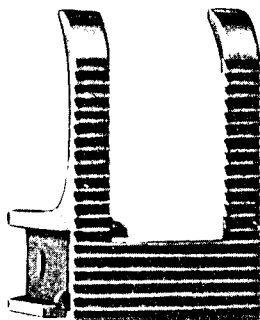
68198



68195



68195

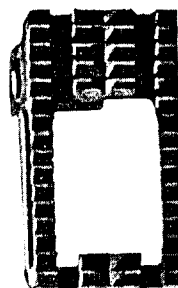


68196

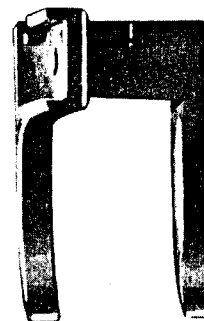


PLATE 9894—FULL SIZE

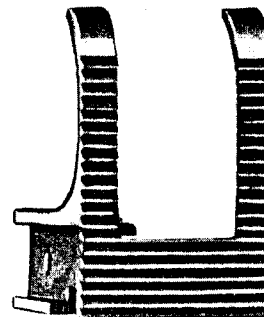
68241



68195



68195



68243



68242



PLATE 9895—FULL SIZE

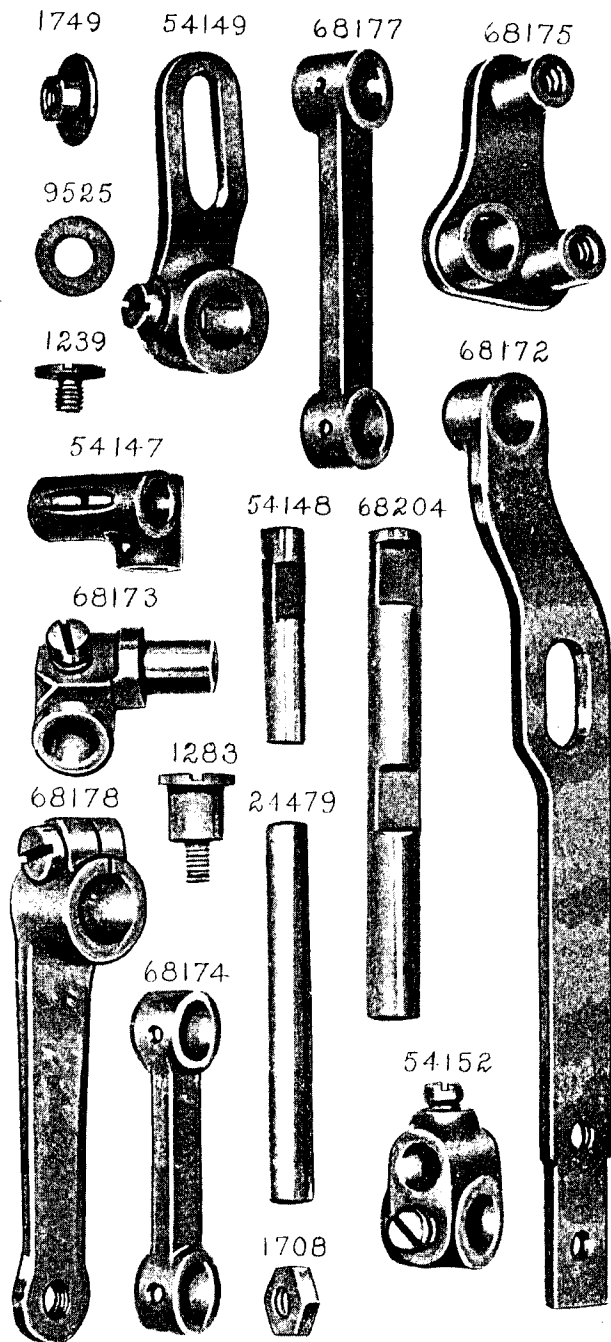
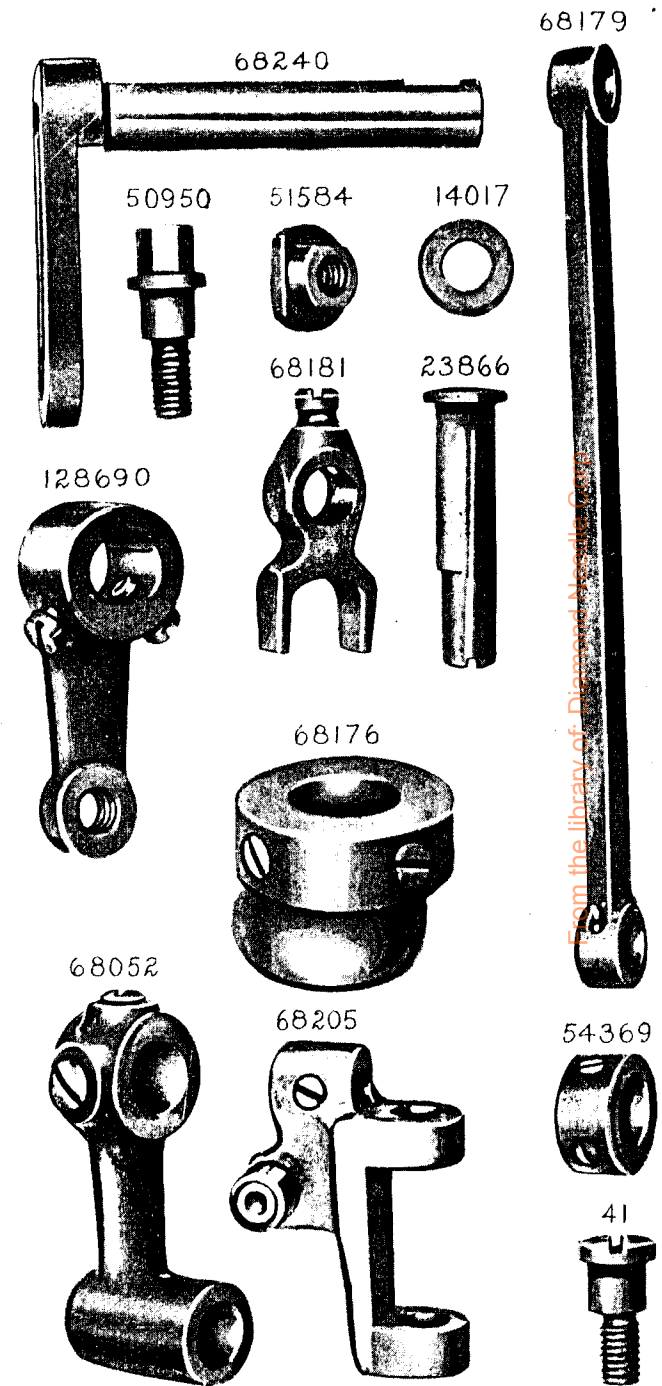


PLATE 9896—FULL SIZE



From the library of [Digitallibrary.org](http://www.digitallibrary.org)



PLATE 9897—FULL SIZE

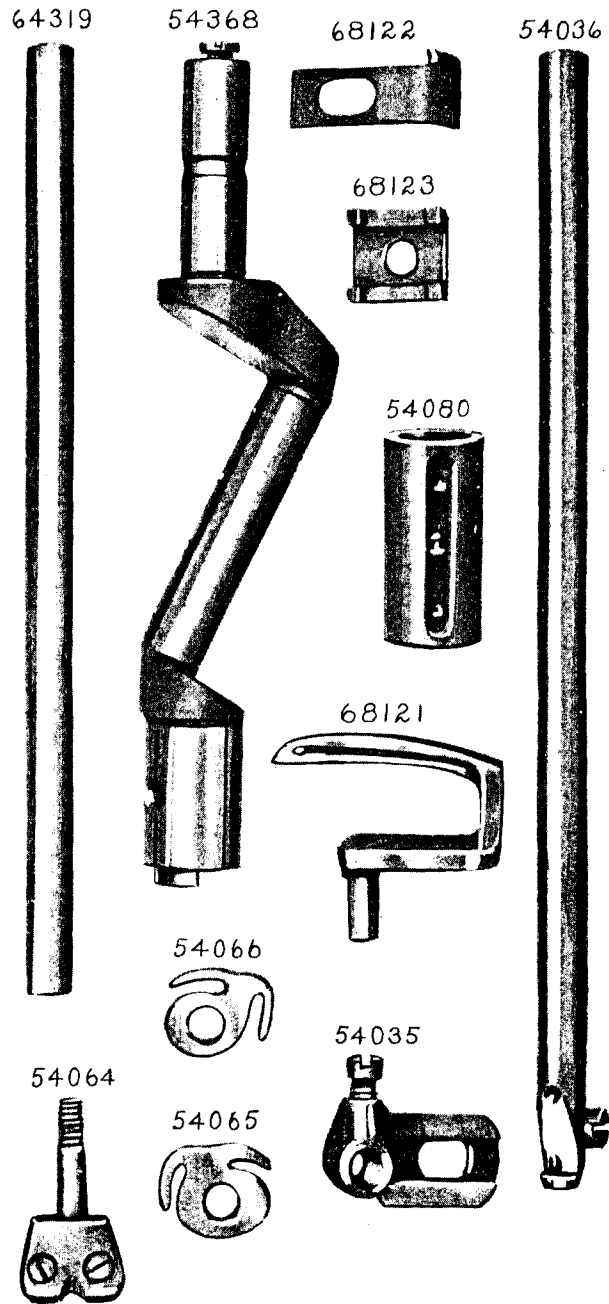


PLATE 9898—FULL SIZE

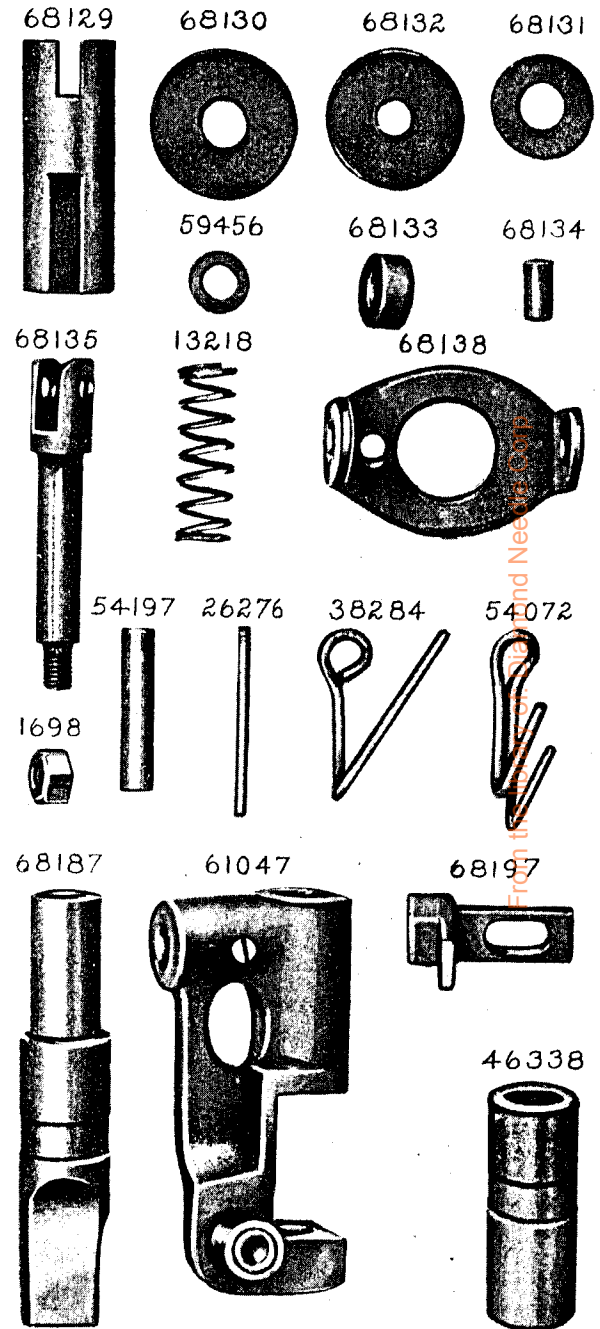


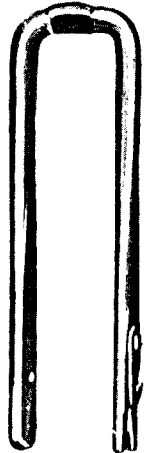
PLATE 9899—FULL SIZE

38478

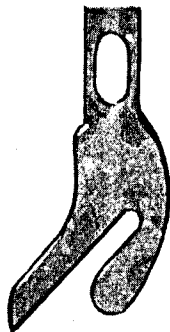


38481

54435



38482



68126 68199

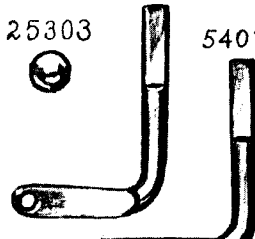


54051

25303



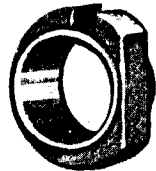
54075



46041



64355



53225



68078

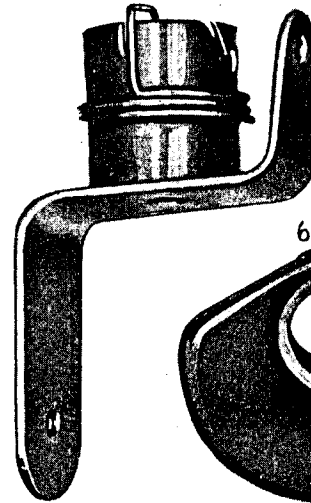


64356



PLATE 9900—FULL SIZE

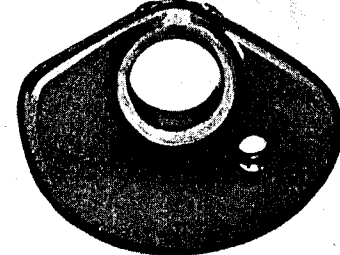
68190



25618



68128



40326



12486



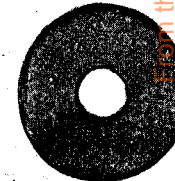
54132



44224



6055



40217



68030



From the library of Diamond Needle Corp.

PLATE 9901—FULL SIZE

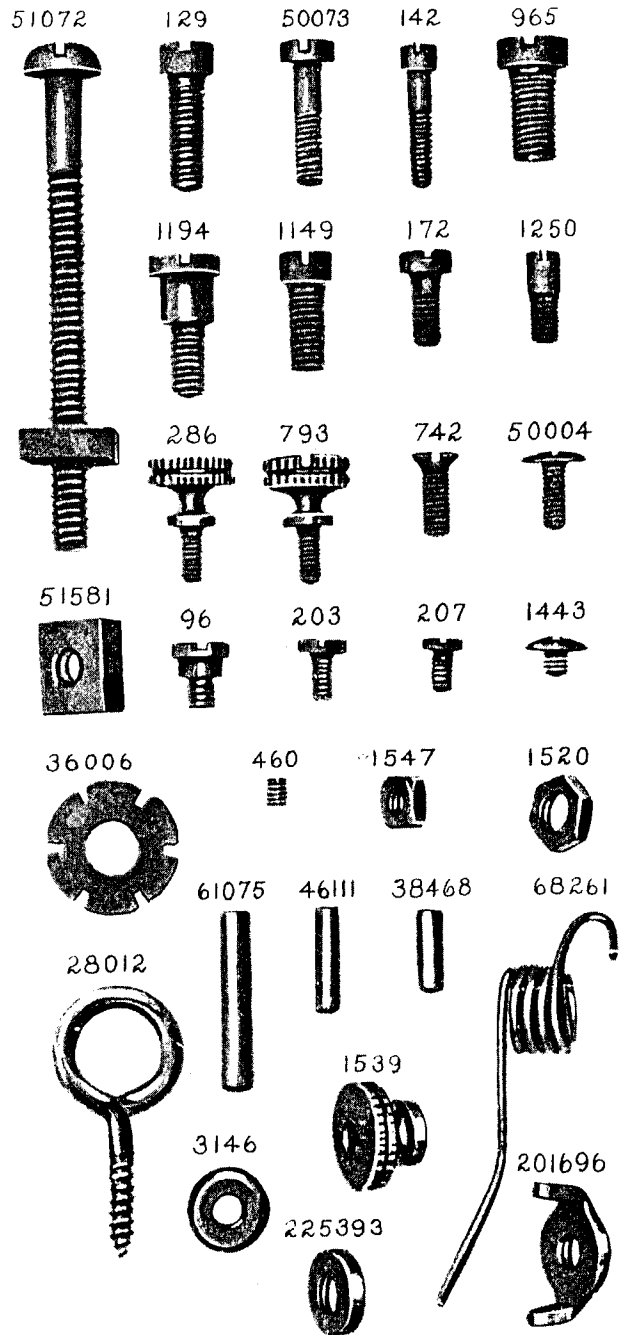
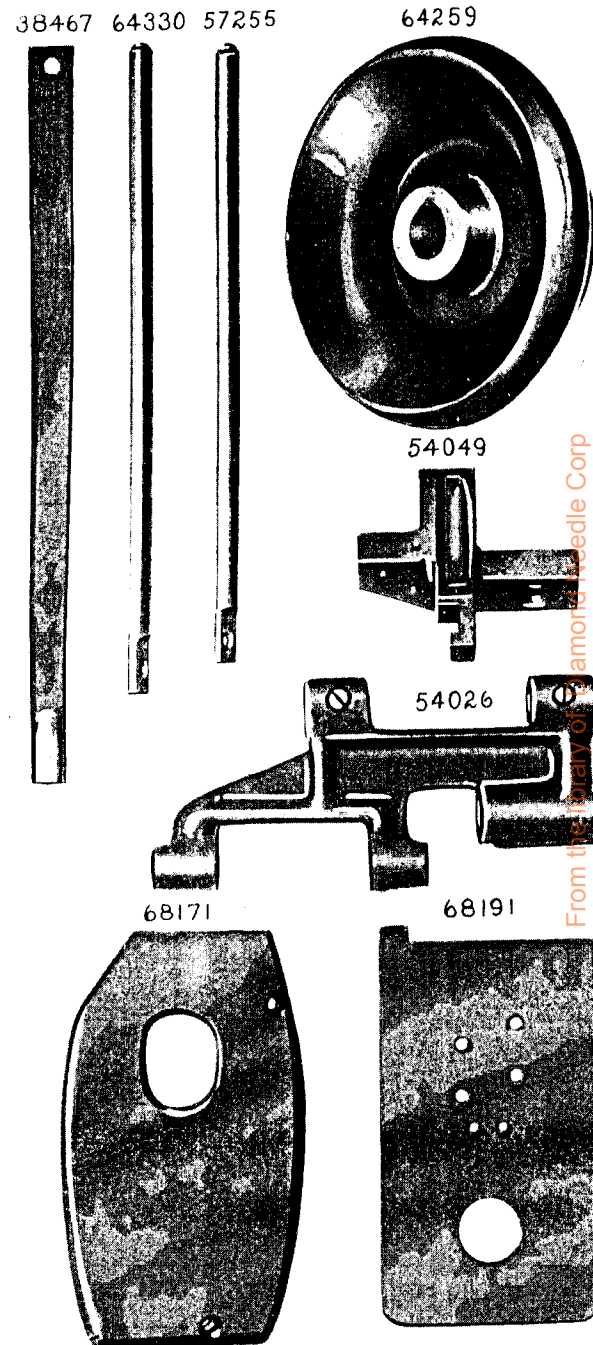


PLATE 9902—ONE-HALF SIZE



From the Library of Lamona Needle Corp

PLATE 9903—ONE-HALF SIZE

54155 68208 68183 68184 54040

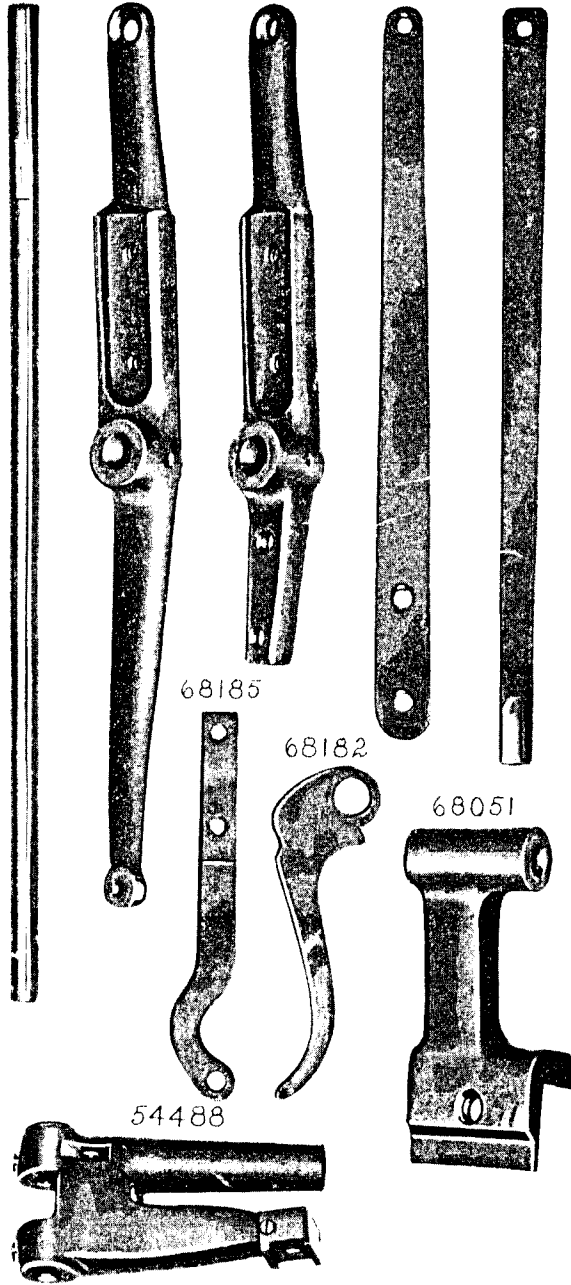
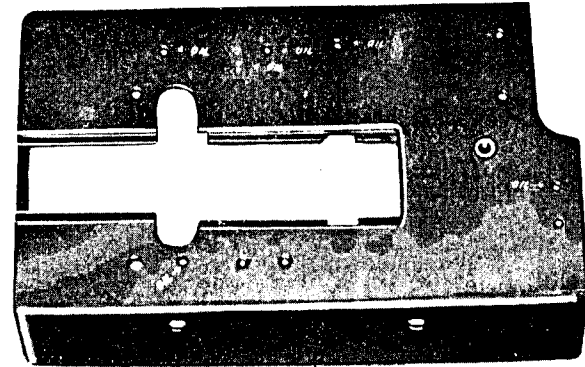
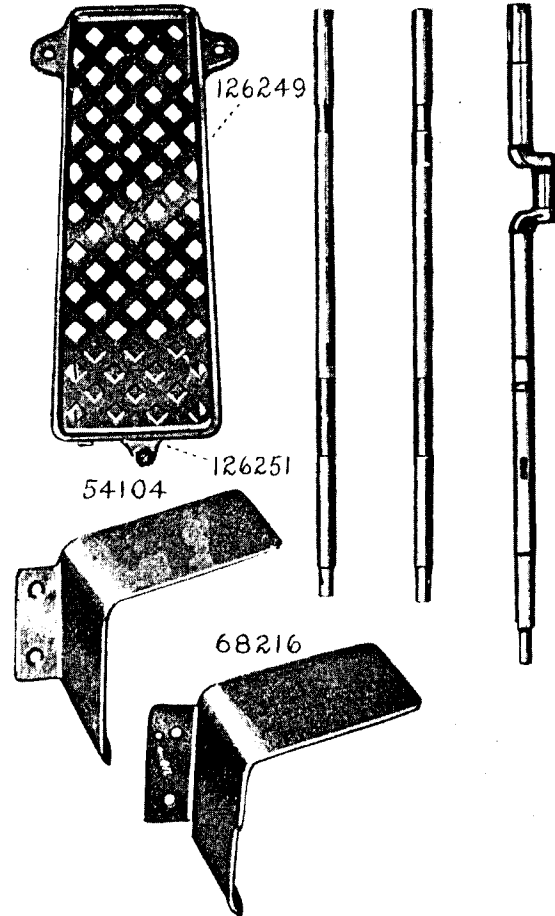


PLATE 9904—ONE-FOURTH SIZE

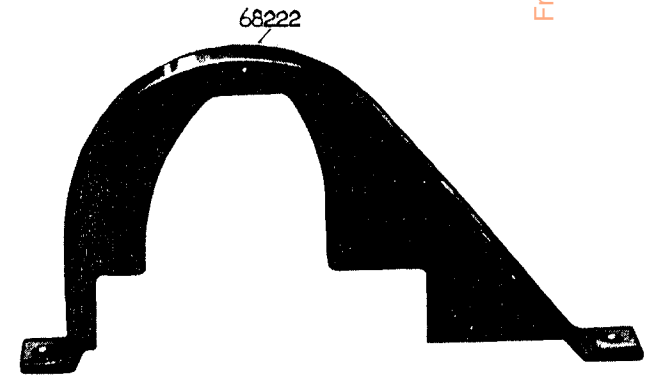
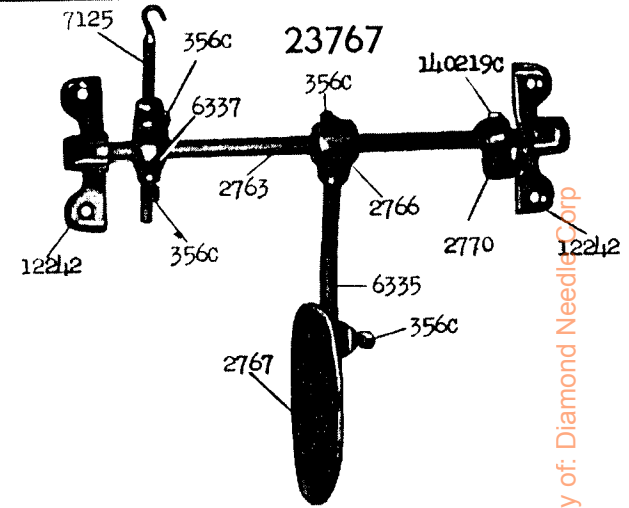
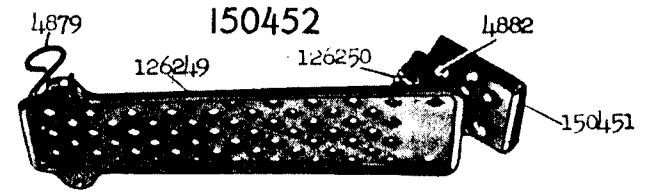
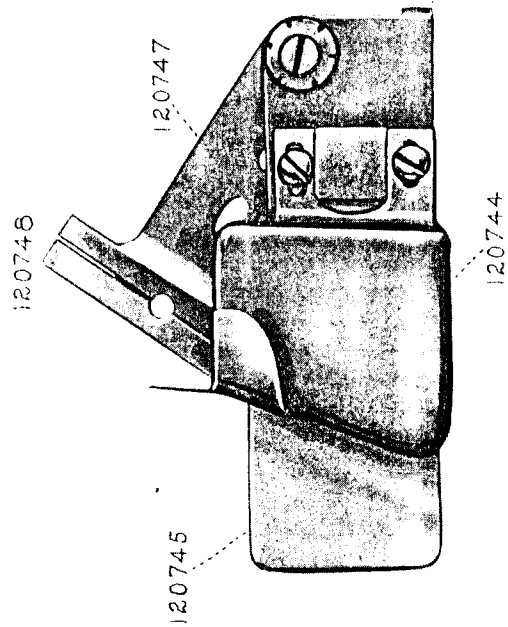
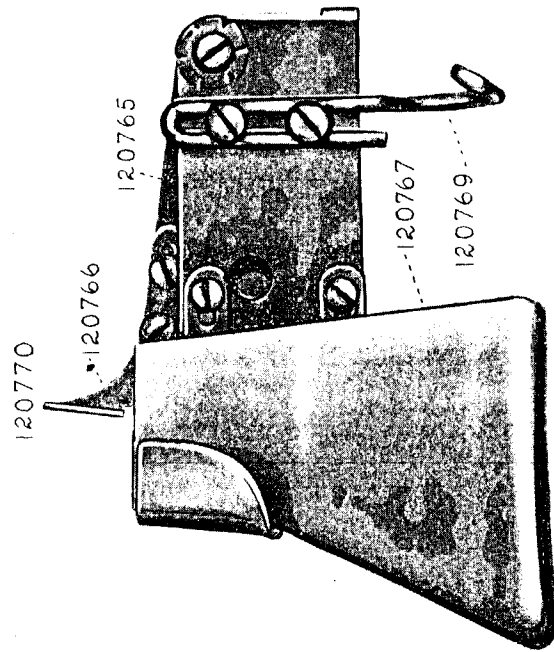
68169



126252 68213 68118 68110



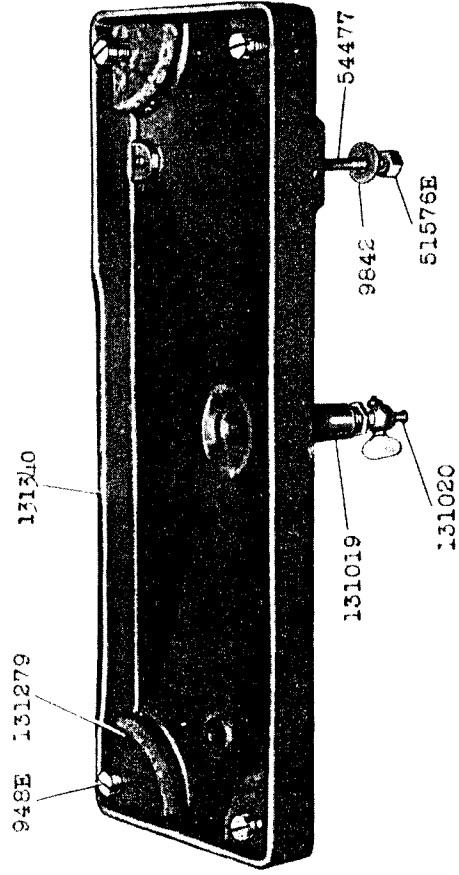
From the library of: Diamond Needle Corp



From the library of: Diamond Needle Corp

20638 - 1/4

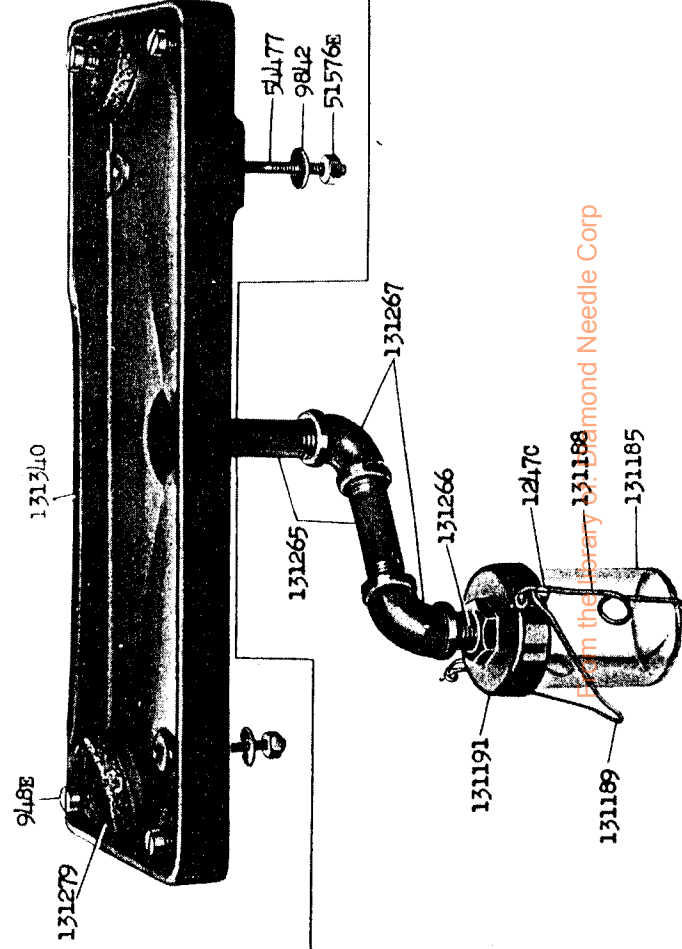
131320



20639 - 1/4

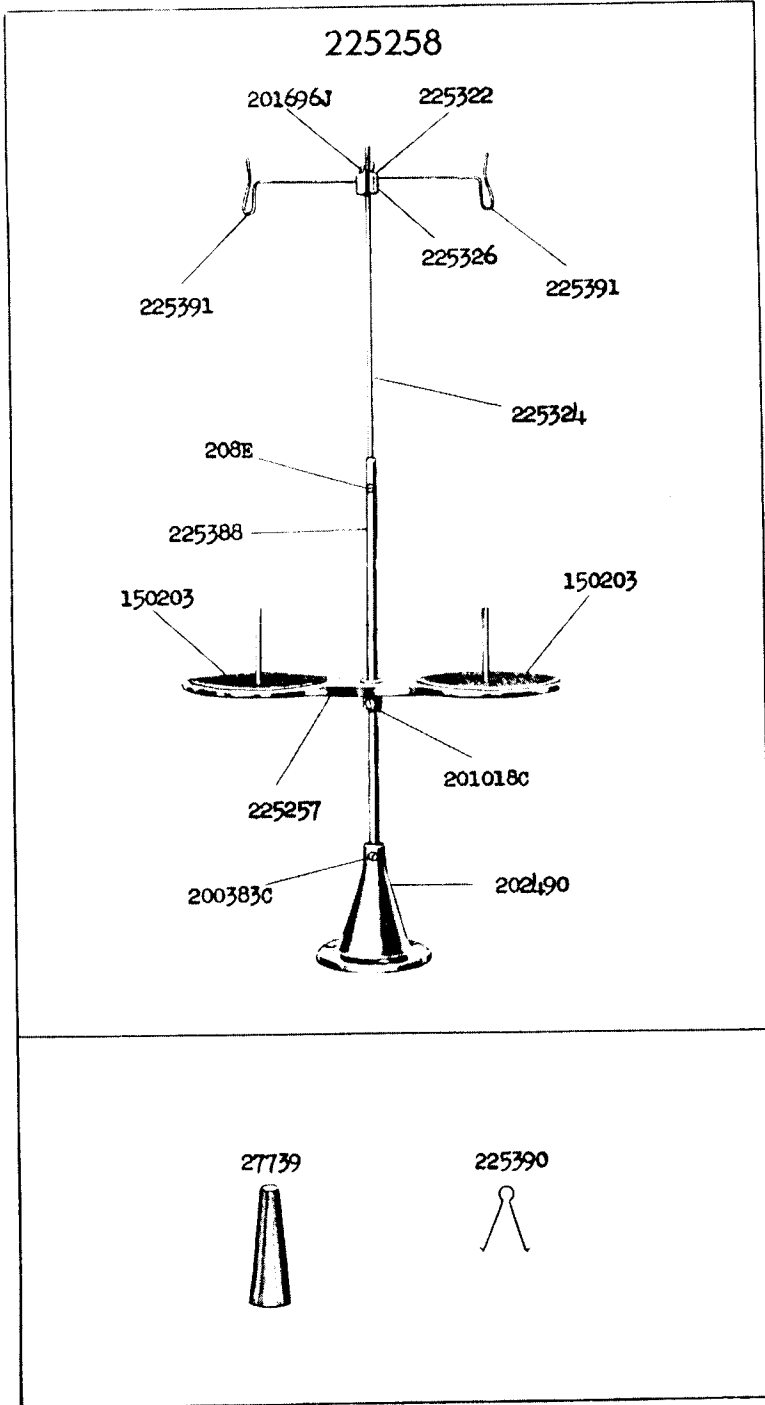
131327

131268

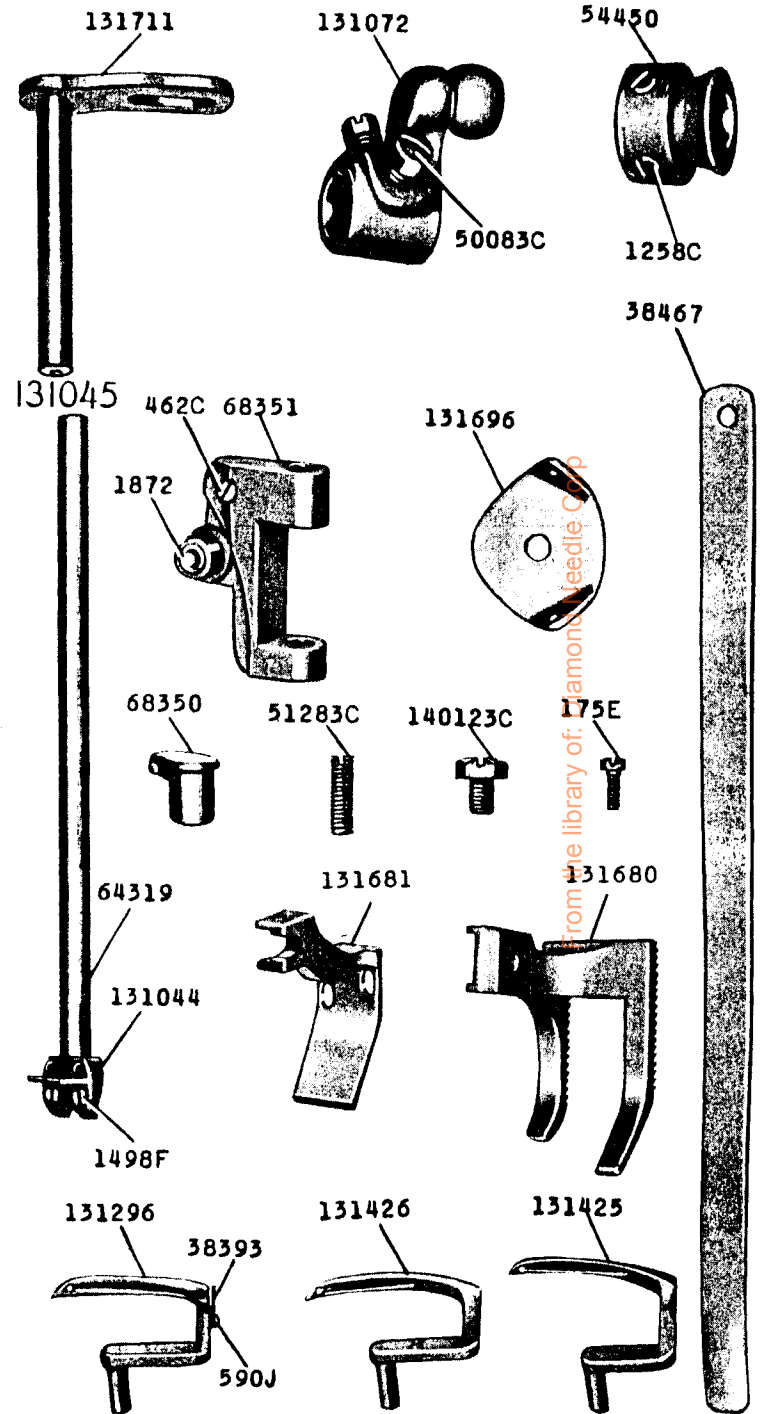


From the Library of: **Edmond Needle Corp**

22248 - 1/6



20693 - 2/3



20694 - 1/6

